



# XINCHAI

## SELECTION OF GENSETS ENGINES

---



ADD:NO.888,West Road,Xinchang Avenue,Zhejiang  
Province,China,312500

WEB:[www.xinchaiengine.com](http://www.xinchaiengine.com)

SALES TEL:+86-575-86290401

SERVICE TEL:+86-575-86240095

E-MAIL:[marketing@xinchaiengine.com](mailto:marketing@xinchaiengine.com)

Facebook:<https://www.facebook.com/xinchaiengine>



WhatsApp



Instagram



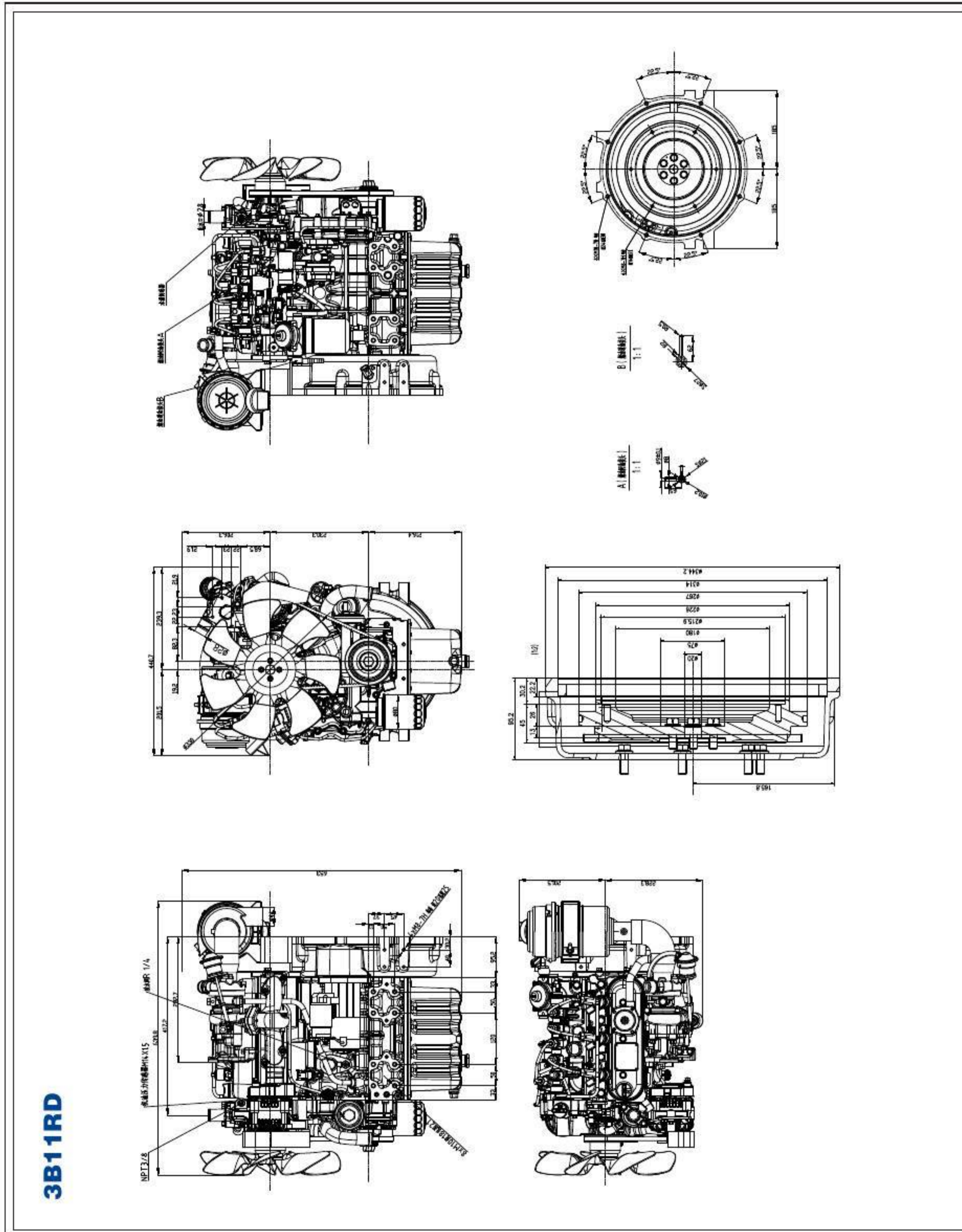
STOCK CODE:301032

No.	Model	Displacement(L)	Standby Power(kW/rpm)	Rated Power(kW/rpm)
1	3B11RD	1.1	33/3000	30/3000
2	3B11YD41	1.1	27/3000	25/3000
3	3B11YD41P185	1.1	14.5/1500	13.2/1500
4	3B13XD	1.3	22/3000	20/3000
5	3B13XDP185	1.3	14.5/1500	13/1500
6	3E22RD	2.2	44/1500, 54/1800	40/1500, 49/1800
7	3E22YD	2.2	35/1500, 40/1800	32/1500, 36/1800
8	4E30YD	3.0	54/1500, 60/1800	49/1500, 54/1800
9	NC485BD	2.3	18/1500, 23/1800	16/1500, 21/1800
10	4N27BD	2.7	24/1500, 29/1800	22/1500, 26/1800
11	4N28ZD	2.8	44/1500, 46/1800	39/1500, 42/1800
12	4N28LD	2.8	54/1500, 66/1800	49/1500, 60/1800
13	C490BD	2.7	24/1500, 29/1800	22/1500, 26/1800
14	4D29BD	2.9	30/1500, 33/1800	27/1500, 30/1800
15	A498BD	3.2	35/1500, 42/1800	32/1500, 38/1800
16	A498BZD	3.2	44/1500, 46/1800	39/1500, 42/1800
17	4D35ZD	3.5	54/1500, 66/1800	49/1500, 60/1800
18	4D35LD	3.5	70/1500, 83/1800	64/1500, 76/1800
19	A4K41ZD	4.1	66/1500, 77/1800	60/1500, 70/1800
20	A4K41LD	4.1	70/1500, 83/1800	64/1500, 76/1800
21	4K41LD	4.1	81/1500, 88/1800	74/1500, 80/1800
22	4K41RD	4.1	105/1500, 116/1800	95/1500, 105/1800
23	4D29XD41	2.9	30/1500, 33/1800	27/1500, 30/1800
24	4D27LPG	2.7	27/1500	25/1500



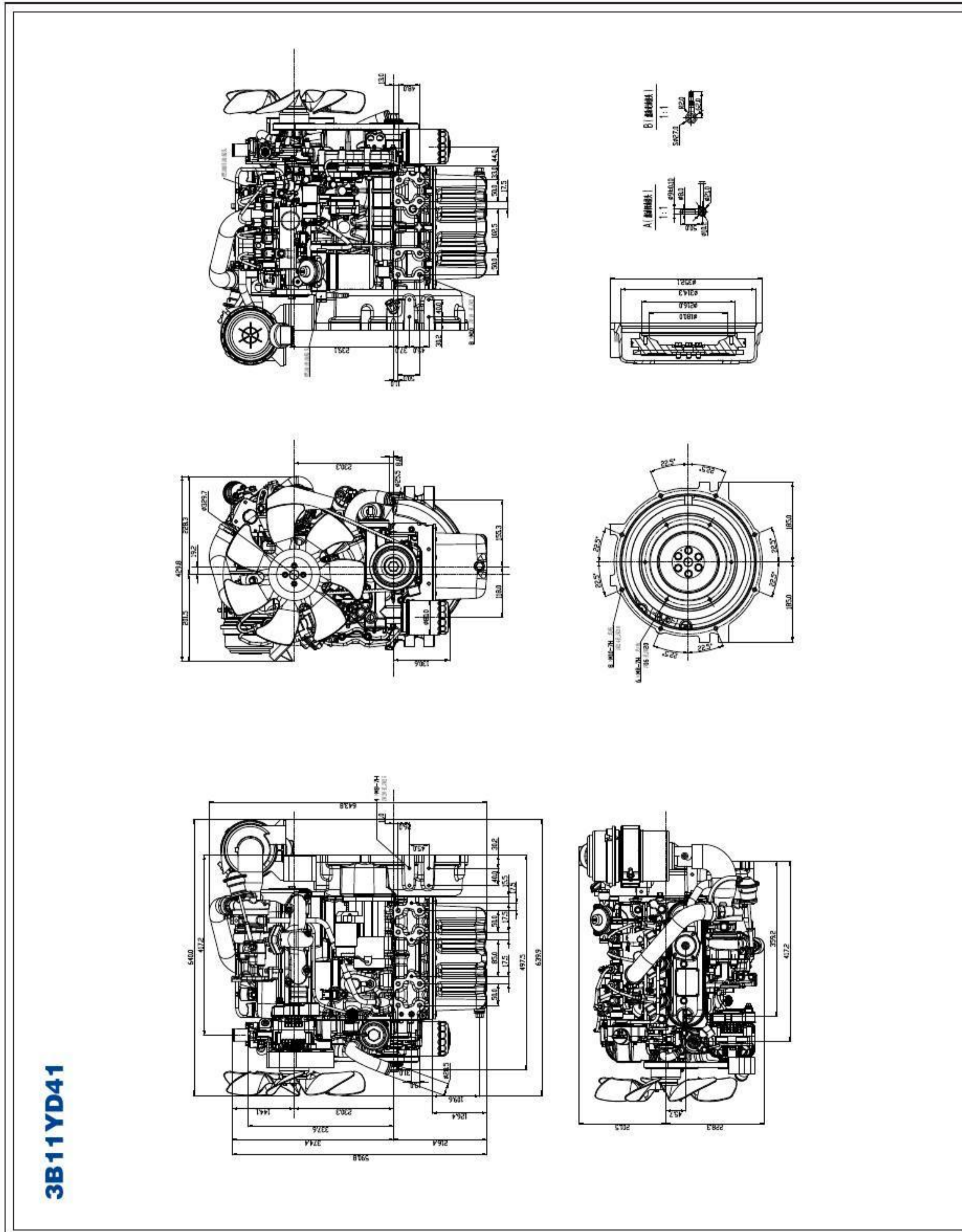
S/N	Model	3B11RD		Remark	
1	Type	Turbocharged intercooled 4-stroke inline water-cooled diesel engine			
2	Number of cylinders -Bore× Stroke	mm	3-78×78.4		
3	Injection method	Direct injection			
4	Compression ratio	18:1			
5	Displacement	liter	1.1		
6	Standby power	kW@rpm	33/3000		
7	Rated power	kW@rpm	30/3000		
8	Fuel consumption	g/kW-h	≤255	Rated output conditions	
9	Rated output conditions	25°C,750mmHg,30%			
10	Idle speed	Maximum	rpm	3000	/
		Minimum	rpm	1500	±25
11	Speed regulation	Governor type	Common rail		
		Speed regulation (transient)	%	≤8	
		Speed regulation (steady)	%	≤4	
		Recovery time	sec	≤6	Load 100%→0%
		Stability	rpm	≤30	
12	Allowable tilt angle	Longitudinal	deg	30(25)	Short time (Long time)
		Lateral	deg	30(25)	
13	Firing order	1-2-3	Start from flywheel end		
14	Rotation direction	Counterclockwise(Viewed from the flywheel end)			
15	Engine weight	kg	105		
16	Fuel injection timing	deg	3-5	FITb.T.D.C	
17	Fuel system	Fuel type	Diesel		
		Fuel injection pump	Bosch common rail		
		Fuel injector	Electrical injector		
		Fuel filter	Rotary full flow type		
18	Lubrication system	Type	Pressure splash lubrication		
		Oil grade	APICF-4 , SAE 15W40		Recommended
		Oil pump	Camshaft driving gear type		
		Oil filter	Rotary full flow type		
		Oil capacity	liter	4.5	Maximum
			liter	3.5	Effective
			Oil pressure	kgf/cm <sup>2</sup>	3.4
		kgf/cm <sup>2</sup>	0	Low idle speed	
19	Cooling system	Radiator	Optional		
		Pressure cap	kgf/cm <sup>2</sup>	0.7-0.9	
		Heat dissipation	Kw	17(Recommended area: 11m <sup>2</sup> )	
		Coolant capacity	liter	2.5	Engine only
20	Air filter	Standard		Maximum intake resistance≤-4.5kPa	
21	Breather system	Open type			
22	Starting system	Starter	12V-1.4 kW		
		Battery	100Ah		Recommended
		Cold start device	Optional		
23	Alternator	13.5V 30A			
24	Engine color	Original color			
25	Emission	China stage IV			

In view of the continuous upgrading of product performance,the specific technical parameters please in kind prevail. Xinchai reserves the right of final interpretation.



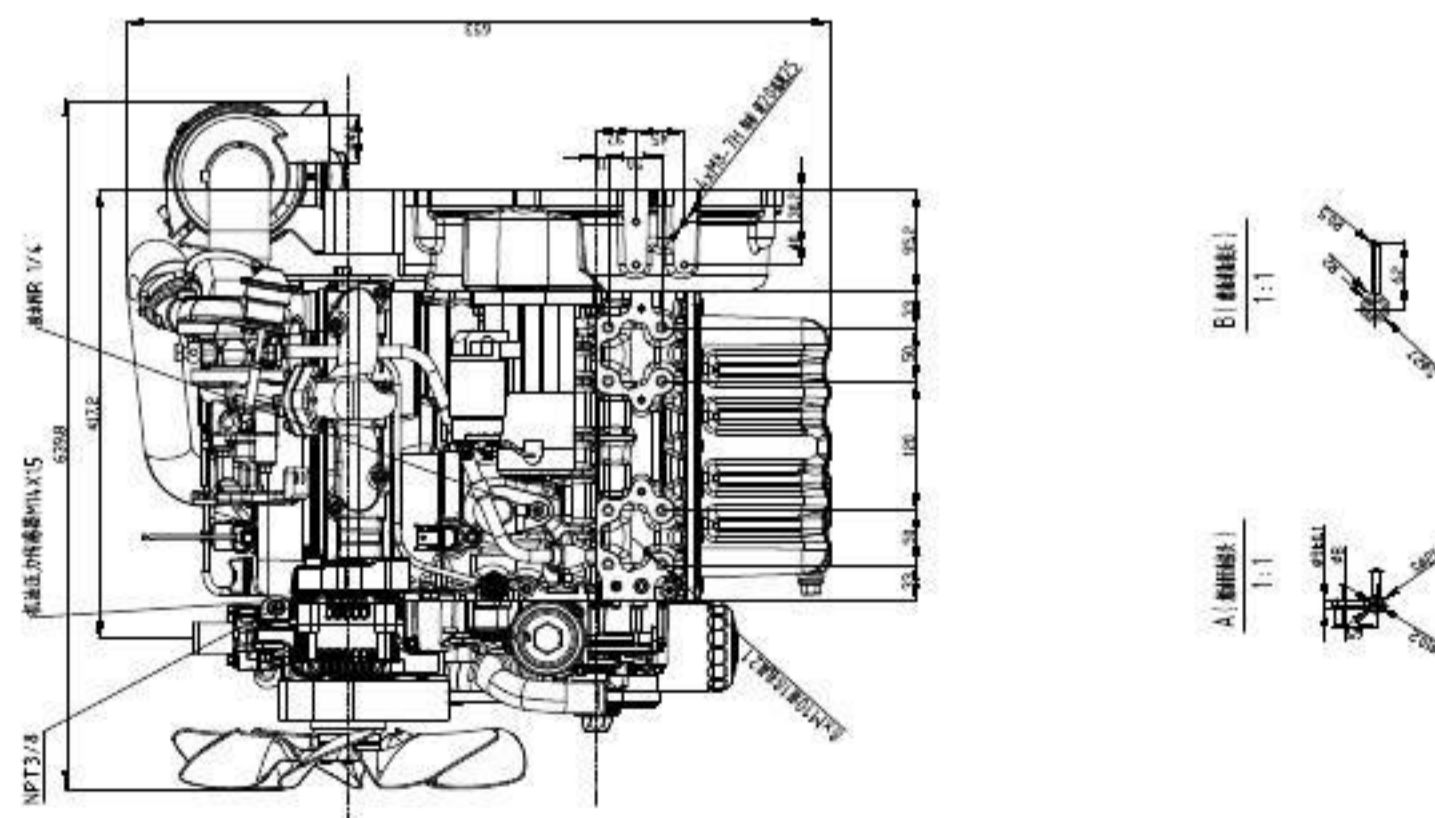
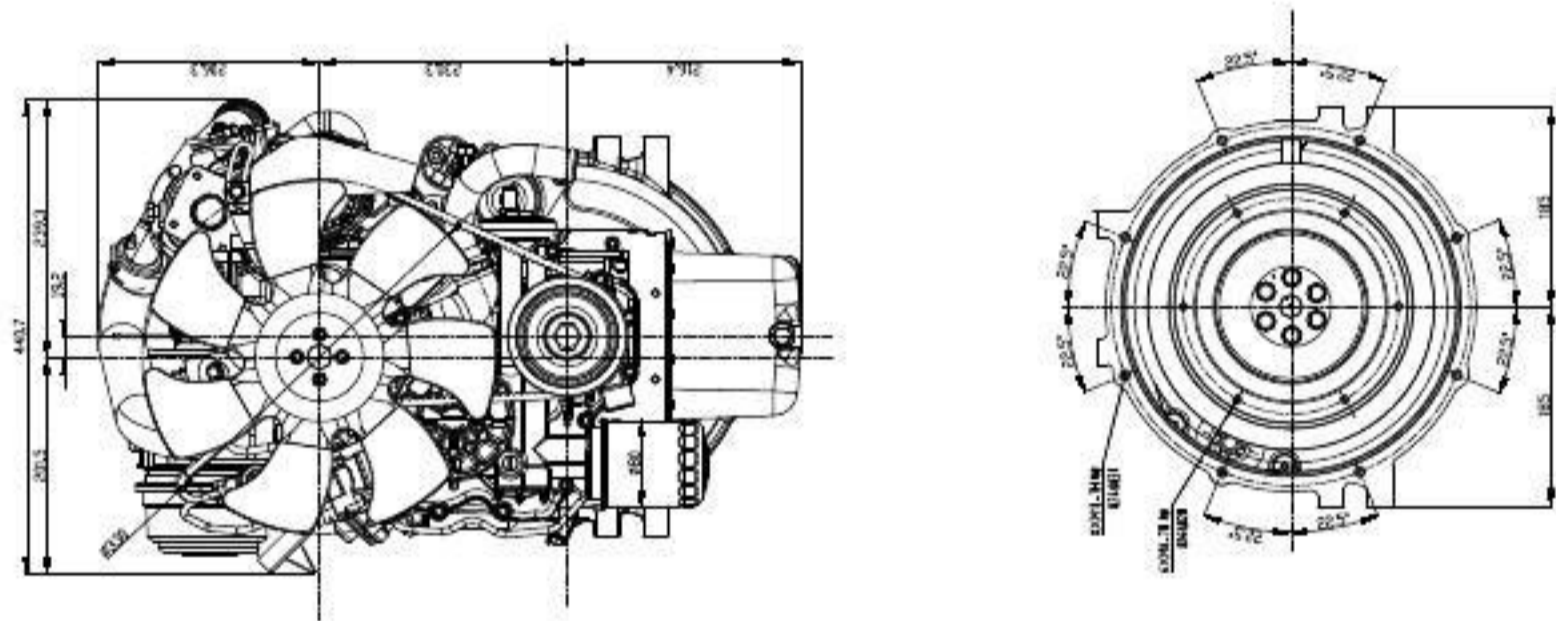
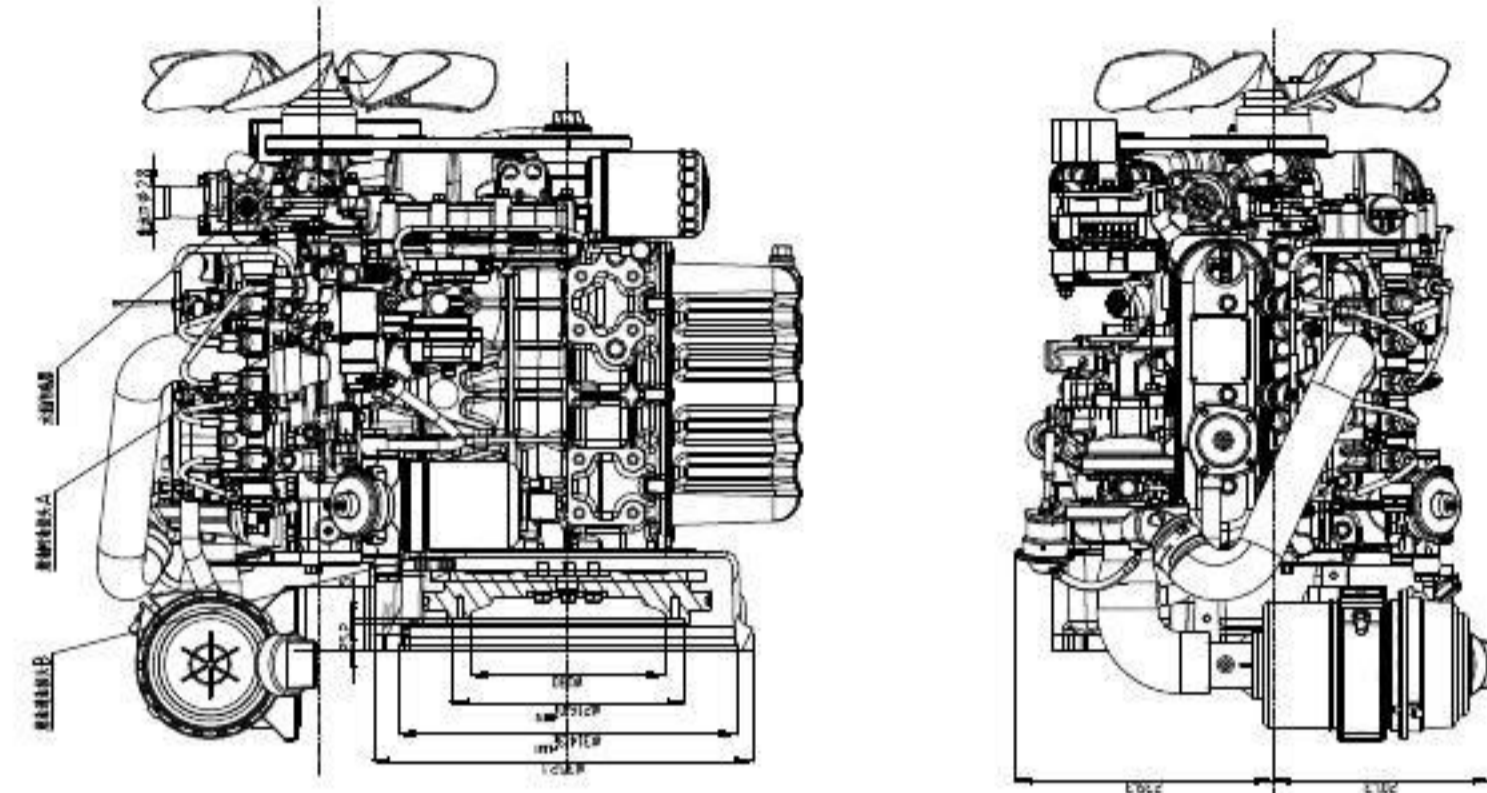
S/N	Model	3B11YD41		Remark	
1	Type	Turbocharged 4-stroke inline water-cooled diesel engine			
2	Number of cylinders -Bore× Stroke	mm	3-78×78.4		
3	Injection method	Direct Injection			
4	Compression ratio	18:1			
5	Displacement	liter	1.1		
6	Standby power	kW@rpm	27/3000		
7	Rated power	kW@rpm	25/3000		
8	Fuel consumption	g/kW-h	≤235	Rated output conditions	
9	Rated output conditions	25°C,750mmHg,30%			
10	Idle speed	Maximum	rpm	3000	/
		Minimum	rpm	1500	±25
11	Speed regulation	Governor type		Common rail	
		Speed regulation (transient)	%	≤8	
		Speed regulation (steady)	%	≤4	
		Recovery time	sec	≤6	Load 100%→0%
		Stability	rpm	≤30	
12	Allowable tilt angle	Longitudinal	deg	30(25)	Short time (Long time)
		Lateral	deg	30(25)	
13	Firing order	1-2-3	Start from Flywheel End		
14	Rotation direction	Counterclockwise(Viewed from the flywheel end)			
15	Engine weight	kg	105		
16	Fuel injection timing	deg	3-5	FITb.T.D.C	
17	Fuel system	Fuel type	Diesel		
		Fuel injection pump	Bosch common rail		
		Fuel injector	Electrical injector		
		Fuel filter	Rotary full flow type		
18	Lubrication system	Type	Pressure splash lubrication		
		Oil grade	APICF-4 , SAE 15W40		Recommended
		Oil pump	Camshaft driving gear type		
		Oil filter	Rotary full flow type		
		Oil capacity	liter	4.5	Maximum
			liter	3.5	Effective
19	Cooling system	Oil pressure	kgf/cm <sup>2</sup>	3.4	Rated speed
			kgf/cm <sup>2</sup>	0	Low idle speed
		Radiator	Optional		
		Pressure cap	kgf/cm <sup>2</sup>	0.7-0.9	
	Heat dissipation	Kw	17 (Recommended area: 11m <sup>2</sup> )		
	Coolant capacity	liter	2.5	Engine only	
20	Air filter	Standard			Maximum intake resistance≤-4.5kPa
21	Breather system	Open type			
22	Starting system	Starter	12V-1.4 kW		
		Battery	100Ah		Recommended
		Cold start device	Optional		
23	Alternator	13.5V 30A			
24	Engine color	Original Color			
25	Emission	China stage IV			

In view of the continuous upgrading of product performance,the specific technical parameters please in kind prevail. Xinchai reserves the right of final interpretation.



S/N	Model	3B11YD41P185		Remark	
1	Type	Turbocharged 4-stroke inline water-cooled diesel engine			
2	Number of cylinders -Bore× Stroke	mm	3-78×78.4		
3	Injection method	Direct injection			
4	Compression ratio	18:1			
5	Displacement	liter	1.1		
6	Standby power	kW@rpm	14.5/1500		
7	Rated power	kW@rpm	13.2/1500		
8	Fuel consumption	g/kW-h	≤245	Rated output conditions	
9	Rated output conditions	25°C,750mmHg,30%			
10	Idle speed	Maximum	rpm	1500	/
		Minimum	rpm	/	/
11	Speed regulation	Governor type		Common rail	
		Speed regulation (transient)	%	≤8	
		Speed regulation (steady)	%	≤4	
		Recovery time	sec	≤6	Load 100%→0%
		Stability	rpm	≤30	
12	Allowable tilt angle	Longitudinal	deg	30(25)	Short time (Long time)
		Lateral	deg	30(25)	
13	Firing order	1-2-3	Start from flywheel end		
14	Rotation direction	Counterclockwise(Viewed from the flywheel end)			
15	Engine weight	kg	105		
16	Fuel injection timing	deg	3-5	FITb.T.D.C	
17	Fuel system	Fuel type	Diesel		
		Fuel injection pump	Bosch common rail		
		Fuel injector	Electrical injector		
	Fuel filter	Rotary full flow type			
18	Lubrication system	Type	Pressure splash lubrication		
		Oil grade	APICF-4 , SAE 15W40		Recommended
		Oil pump	Camshaft driving gear type		
		Oil filter	Rotary full flow type		
		Oil capacity	liter	4.5	Maximum
			liter	3.5	Effective
19	Cooling system	Oil pressure	kgf/cm <sup>2</sup>	3.4	Rated speed
			kgf/cm <sup>2</sup>	0	Low idle speed
		Radiator	Optional		
		Pressure cap	kgf/cm <sup>2</sup>	0.7-0.9	
	Heat dissipation	Kw	17 (Recommended area: 11m <sup>2</sup> )		
	Coolant capacity	liter	2.5	Engine only	
20	Air filter	Standard		Maximum intake resistance≤-4.5kPa	
21	Breather system	Open type			
22	Starting system	Starter	12V-1.4 kW		
		Battery	100Ah		Recommended
		Cold start device	Optional		
23	Alternator	13.5V 30A			
24	Engine color	Original color			
25	Emission	China stage IV			

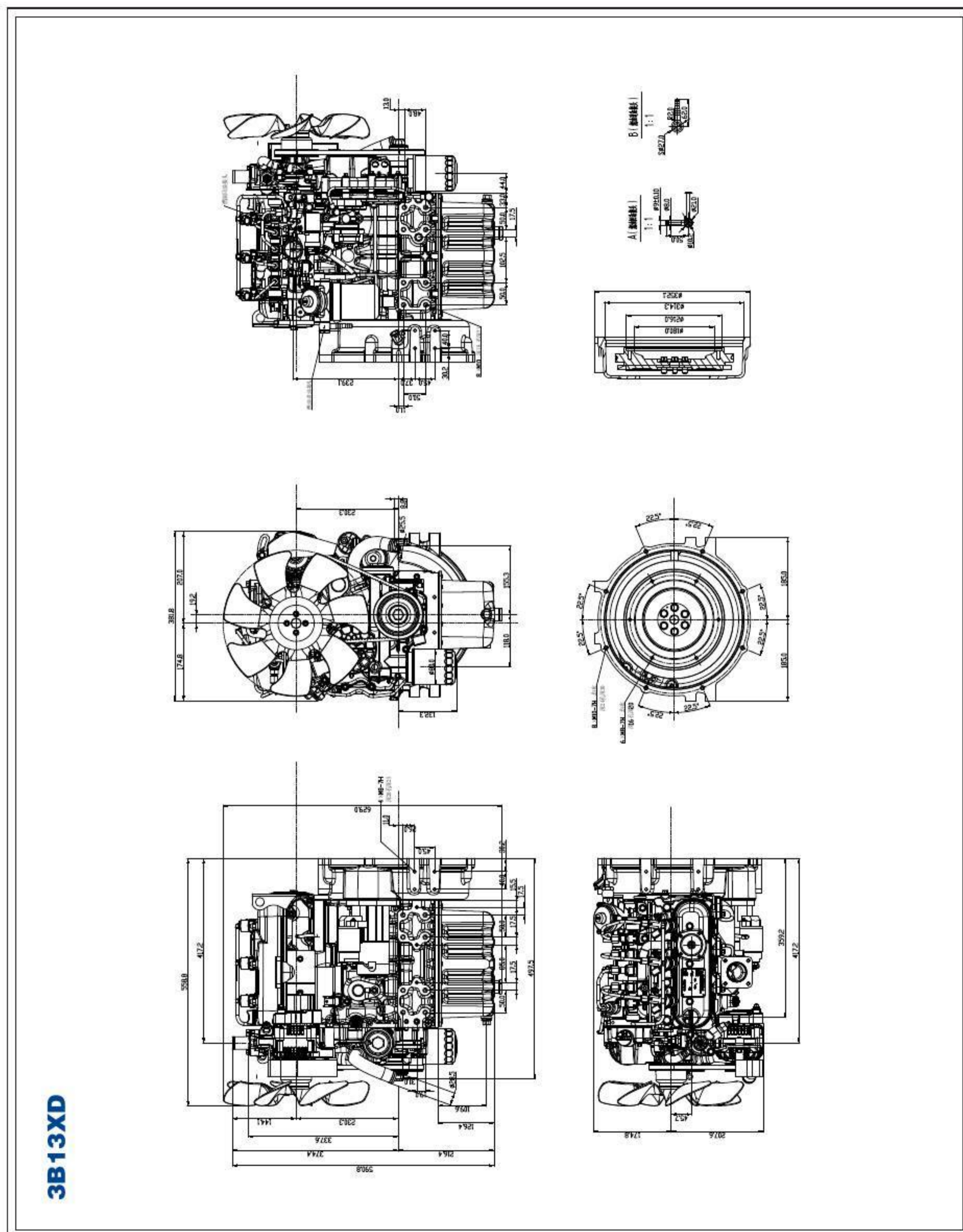
In view of the continuous upgrading of product performance,the specific technical parameters please in kind prevail. Xinchai reserves the right of final interpretation.



3B11YD41P185

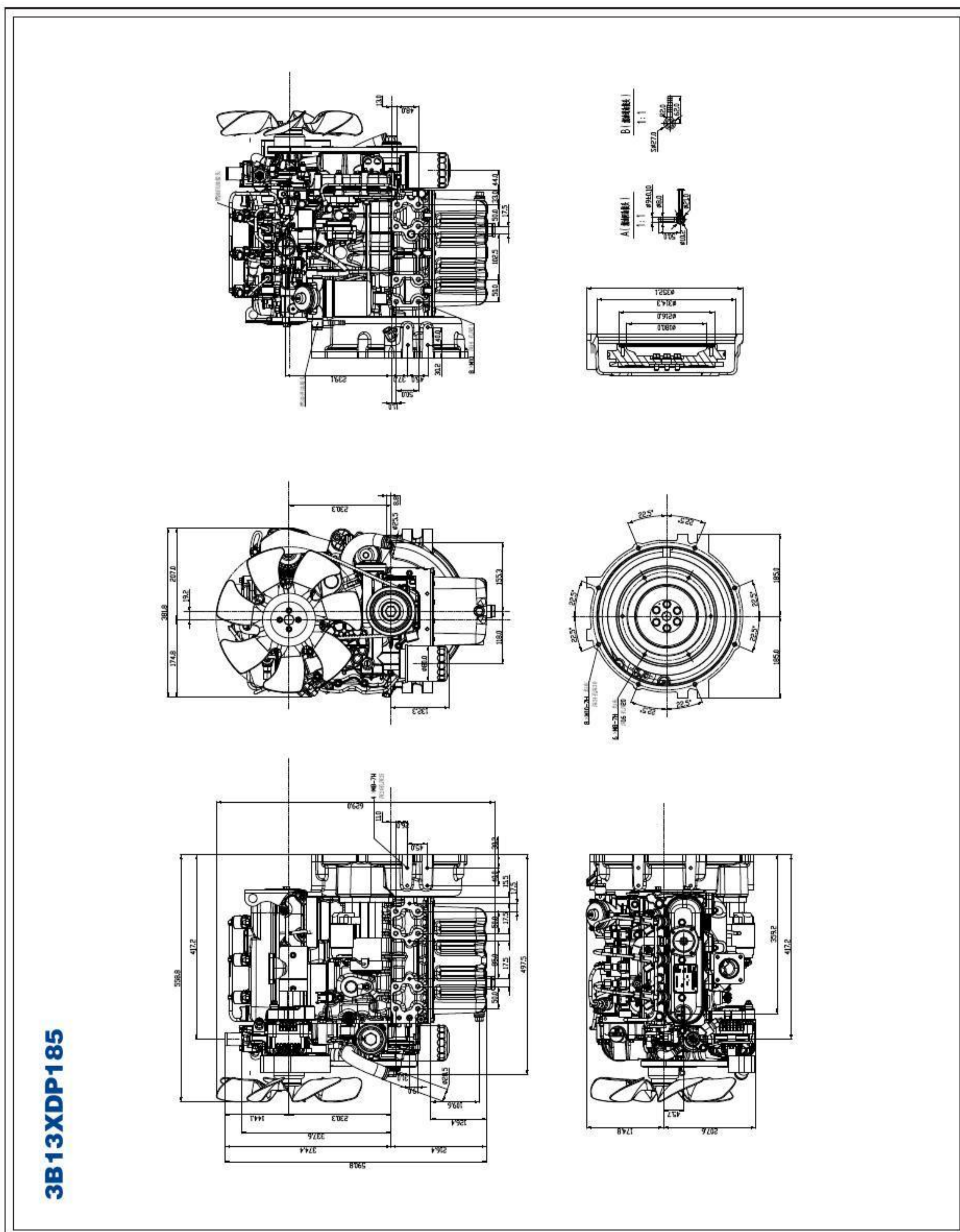
S/N	Model	3B13XD		Remark	
1	Type	Naturally aspirated 4-stroke inline water-cooled diesel engine			
2	Number of cylinders -Bore× Stroke	mm	3-78×90		
3	Injection method	Direct injection			
4	Compression ratio	18:1			
5	Displacement	liter	1.3		
6	Standby power	kW@rpm	22/3000		
7	Rated power	kW@rpm	20/3000		
8	Fuel consumption	g/kW-h	≤255	Rated output conditions	
9	Rated output conditions	25°C,750mmHg,30%			
10	Idle speed	Maximum	rpm	3000	/
		Minimum	rpm	1500	±25
11	Speed regulation	Governor type		Common rail	
		Speed regulation (transient)	%	≤8	
		Speed regulation (steady)	%	≤4	
		Recovery time	sec	≤6	Load 100%→0%
		Stability	rpm	≤30	
12	Allowable tilt angle	Longitudinal	deg	30(25)	Short time (Long time)
		Lateral	deg	30(25)	
13	Firing order	1-2-3	Start from flywheel end		
14	Rotation direction	Counterclockwise(Viewed from the flywheel end)			
15	Engine weight	kg	100		
16	Fuel injection timing	deg	3-5	FITb.T.D.C	
17	Fuel system	Fuel type	Diesel		
		Fuel injection pump	Bosch common rail		
		Fuel injector	Electrical injector		
		Fuel filter	Rotary full flow type		
18	Lubrication system	Type	Pressure splash lubrication		
		Oil grade	APICF-4 , SAE 15W40		Recommended
		Oil pump	Camshaft driving gear type		
		Oil filter	Rotary full flow type		
		Oil capacity	liter	4.5	Maximum
			liter	3.5	Effective
19	Cooling system	Oil pressure	kgf/cm <sup>2</sup>	3.4	Rated speed
			kgf/cm <sup>2</sup>	0	Low idle speed
		Radiator	Optional		
		Pressure cap	kgf/cm <sup>2</sup>	0.7-0.9	
	Heat dissipation	Kw	17 (Recommended area: 11m <sup>2</sup> )		
	Coolant capacity	liter	5.2	Engine only	
20	Air filter	Standard		Maximum intake resistance≤-4.5kPa	
21	Breather system	Open type			
22	Starting system	Starter	12V-1.4 kW		
		Battery	100Ah		Recommended
		Cold start device	Optional		
23	Alternator	13.5V 30A			
24	Engine color	Original color			
25	Emission	China stage IV			

In view of the continuous upgrading of product performance,the specific technical parameters please in kind prevail. Xinchai reserves the right of final interpretation.



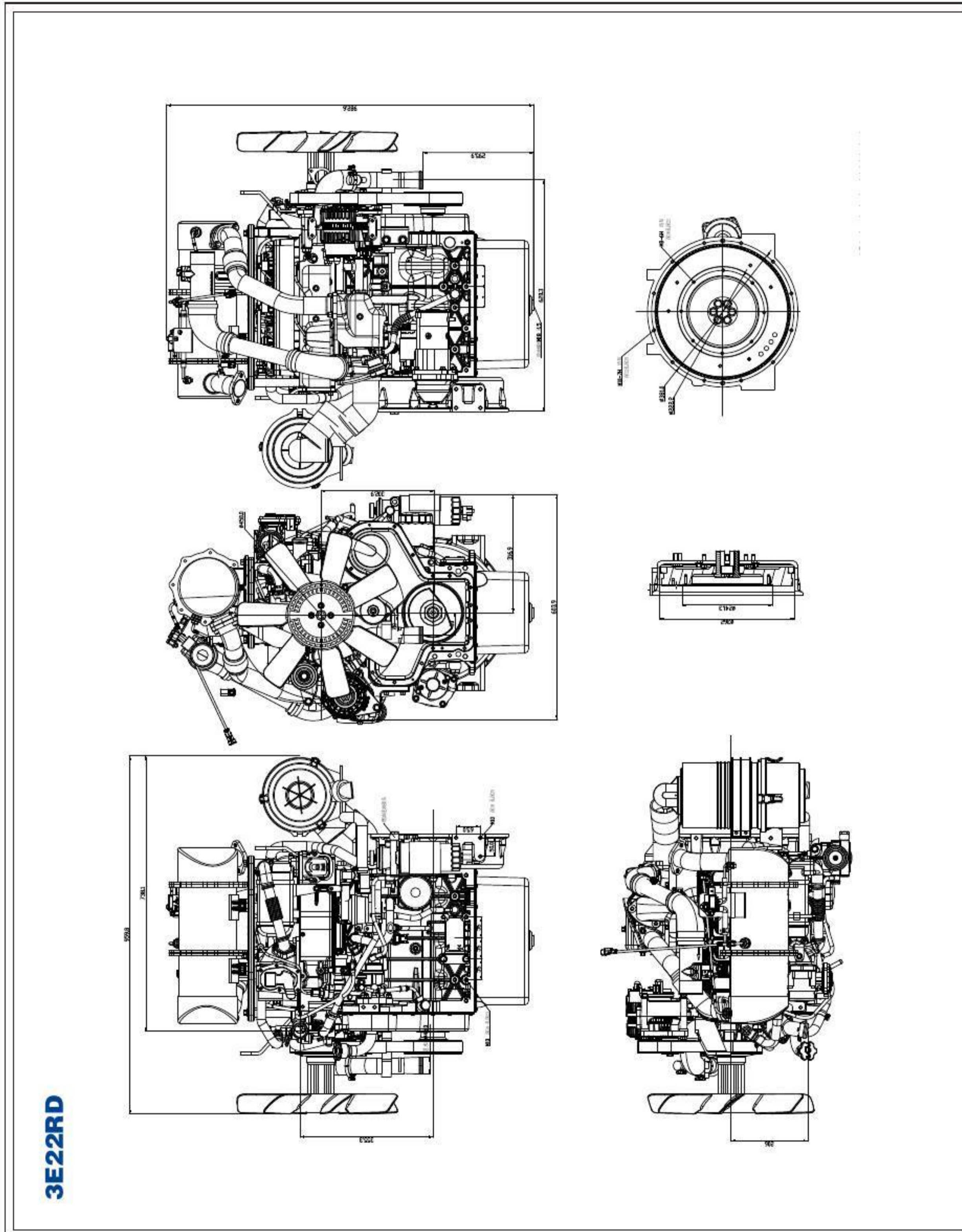
S/N	Model	3B13XD185		Remark	
1	Type	Naturally aspirated 4-stroke inline water-cooled diesel engine			
2	Number of cylinders -Bore× Stroke	mm	3-78×90		
3	Injection method	Direct injection			
4	Compression ratio	18:1			
5	Displacement	liter	1.3		
6	Standby power	kW@rpm	14.5/1500		
7	Rated power	kW@rpm	13/1500		
8	Fuel consumption	g/kW-h	≤255	Rated output conditions	
9	Rated output conditions	25°C,750mmHg,30%			
10	Idle speed	Maximum	rpm	3000	/
		Minimum	rpm	1500	±25
11	Speed regulation	Governor type	Common rail		
		Speed regulation (transient)	%	≤8	
		Speed regulation (steady)	%	≤4	
		Recovery time	sec	≤6	Load 100%→0%
		Stability	rpm	≤30	
12	Allowable tilt angle	Longitudinal	deg	30(25)	Short time (Long time)
		Lateral	deg	30(25)	
13	Firing order	1-2-3	Start from flywheel end		
14	Rotation direction	Counterclockwise(Viewed from the flywheel end)			
15	Engine weight	kg	100		
16	Fuel injection timing	deg	3-5	FITb.T.D.C	
17	Fuel system	Fuel type	Diesel		
		Fuel injection pump	Bosch common rail		
		Fuel injector	Electrical injector		
		Fuel filter	Rotary full flow type		
18	Lubrication system	Type	Pressure splash lubrication		
		Oil grade	APICF-4 , SAE 15W40		Recommended
		Oil pump	Camshaft driving gear type		
		Oil filter	Rotary full flow type		
		Oil capacity	liter	4.5	Maximum
			liter	3.5	Effective
		Oil pressure	kgf/cm <sup>2</sup>	3.4	Rated speed
	kgf/cm <sup>2</sup>	0	Low idle speed		
19	Cooling system	Radiator	Optional		
		Pressure cap	kgf/cm <sup>2</sup>	0.7-0.9	
		Heat dissipation	Kw	17 (Recommended area: 11m <sup>2</sup> )	
		Coolant capacity	liter	5.2	Engine only
20	Air filter	Standard		Maximum intake resistance≤-4.5kPa	
21	Breather system	Open type			
22	Starting system	Starter	12V-1.4 kW		
		Battery	100Ah		Recommended
		Cold start device	Optional		
23	Alternator	13.5V 30A			
24	Engine color	Original color			
25	Emission	China stage IV			

In view of the continuous upgrading of product performance,the specific technical parameters please in kind prevail. Xinchai reserves the right of final interpretation.



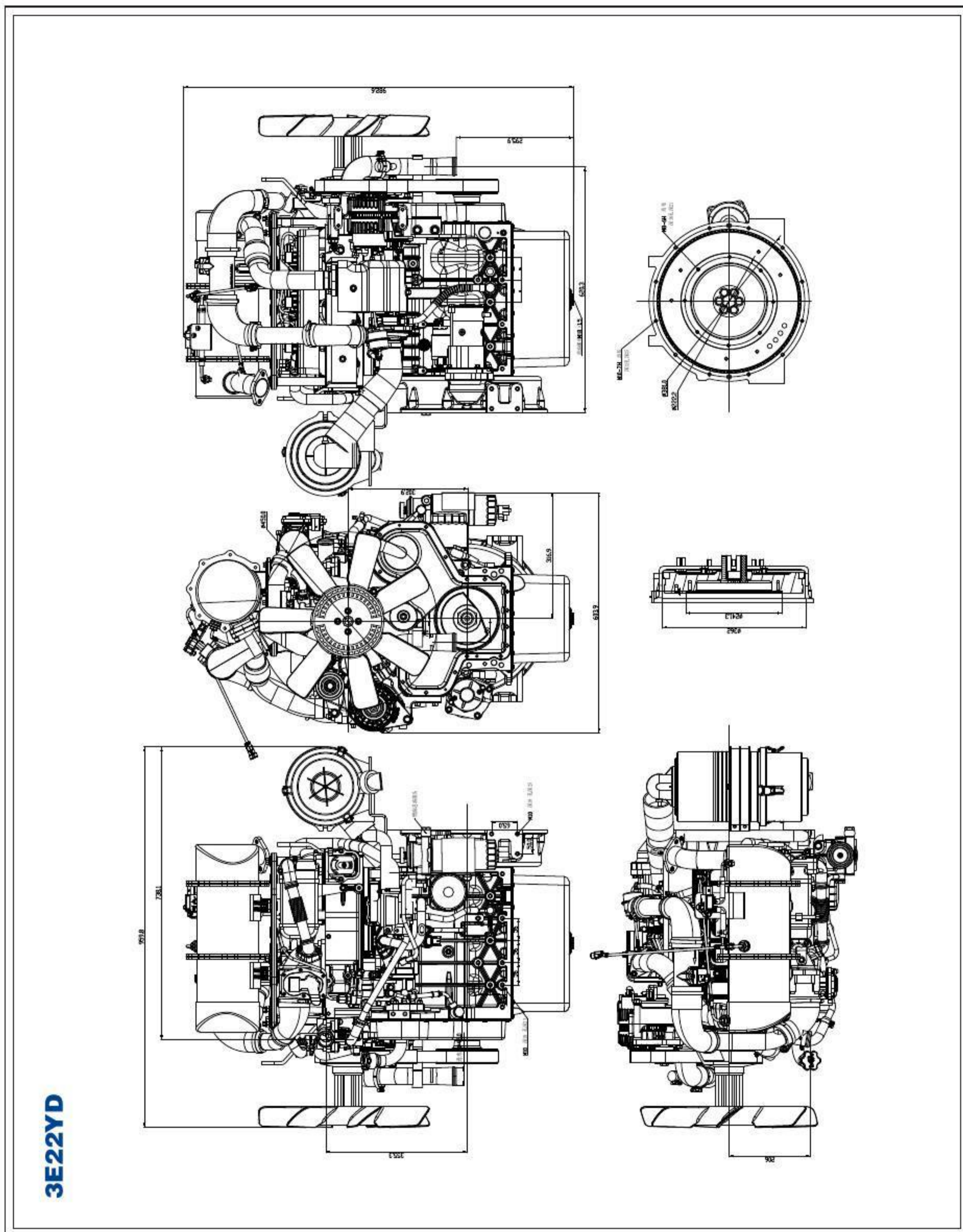
S/N	Model	3E22RD		Remark	
1	Type	Turbocharged intercooled 4-stroke inline water-cooled diesel engine			
2	Number of cylinders -Bore× Stroke	mm	3-94×107		
3	Injection method	Direct injection			
4	Compression ratio	17.5:1			
5	Displacement	liter	2.2		
6	Standby power	kW@rpm	44/1500, 54/1800		
7	Rated power	kW@rpm	40/1500, 49/1800		
8	Fuel consumption	g/kW-h	≤245	Rated output conditions	
9	Rated output conditions	25°C, 750mmHg, 30%			
10	Idle speed	Maximum	rpm	1500/1800	/
		Minimum	rpm	/	/
11	Speed regulation	Governor type		Common rail	
		Speed regulation (transient)	%	≤8	
		Speed regulation (steady)	%	≤4	
		Recovery time	sec	≤6	Load 100% →0%
		Stability	rpm	≤30	
12	Allowable tilt angle	Longitudinal	deg	30(25)	Short time (Long time)
		Lateral	deg	30(25)	
13	Firing order	1-3-2	Start from flywheel end		
14	Rotation direction	Counterclockwise(Viewed from the flywheel end)			
15	Engine weight	kg	260		
16	Fuel injection timing	deg	3-5	FITb.T.D.C	
17	Fuel system	Fuel type	Diesel		
		Fuel injection pump	Bosch common rail		
		Fuel injector	Hole-type		
	Fuel filter	Paper filter cartridge			
18	Lubrication system	Type	Forced lubrication		
		Oil grade	APICF-4 , SAE 15W40		Recommended
		Oil pump	Rotary oil pump		
		Oil filter	Paper filter cartridge		
		Oil capacity	liter	6	Maximum
		liter	4.5	Effective	
	Oil pressure	kgf/cm <sup>2</sup>	2.4	Rated speed	
		kgf/cm <sup>2</sup>	0	Low idle speed	
19	Cooling system	Radiator	Optional		
		Pressure cap	kgf/cm <sup>2</sup>	0.7-0.9	
		Heat dissipation	Kw	27.7 (Recommended area: 15m <sup>2</sup> )	
	Coolant capacity	liter	3.8	Engine only	
20	Air filter	Optional		Maximum intake resistance ≤ - 5.5kPa	
21	Breather system	Closed type			
22	Starting system	Starter	12V-2.5 kW		
		Battery	100Ah		Recommended
		Cold start device	Optional		
23	Alternator	12V 70A			
24	Engine color	Original color			
25	Emission	EURO V			

In view of the continuous upgrading of product performance, the specific technical parameters please in kind prevail. Xinchai reserves the right of final interpretation.



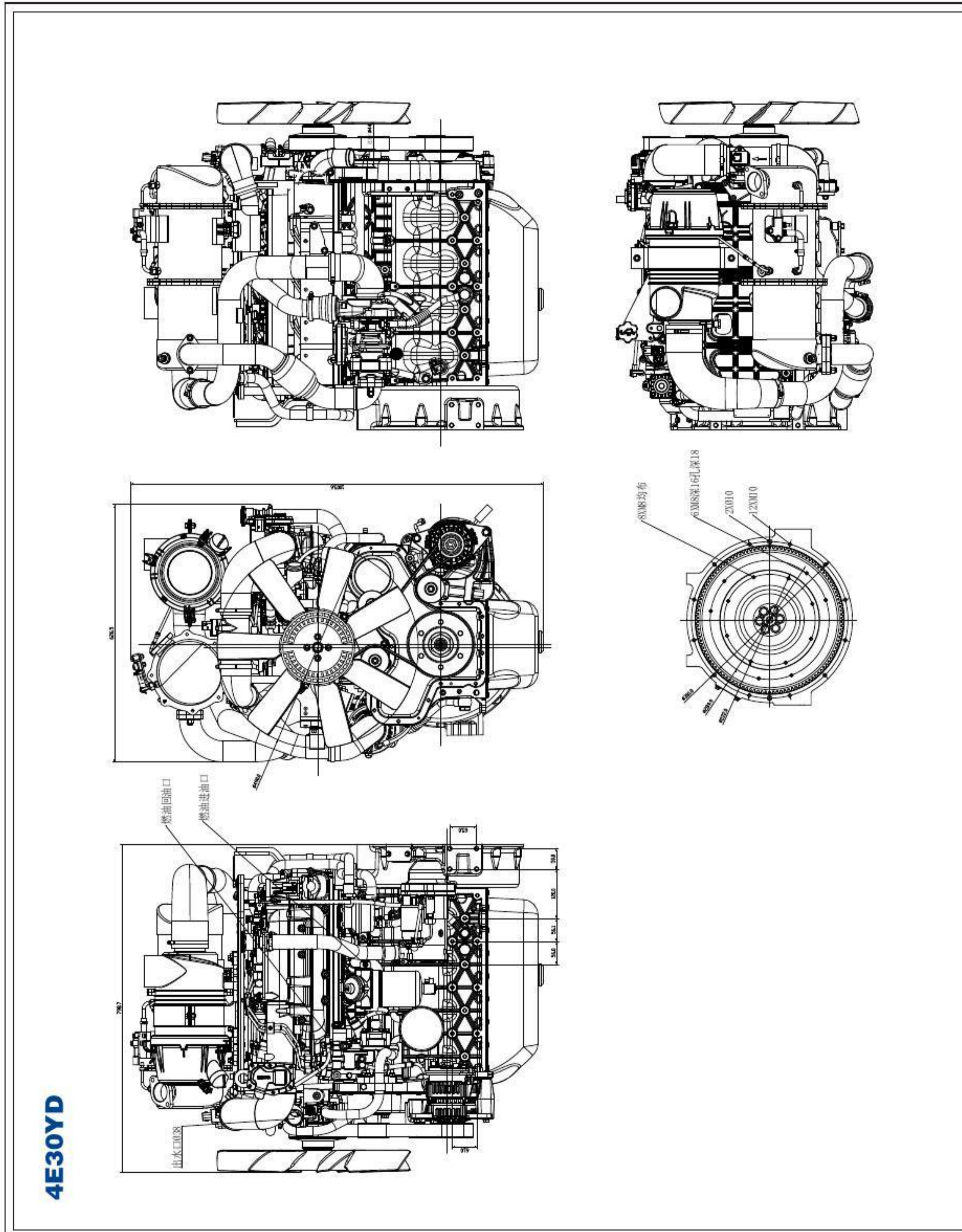
S/N	Model	3E22YD		Remark	
1	Type	Turbocharged 4-stroke inline water-cooled diesel engine			
2	Number of cylinders -Bore× Stroke	mm	3-94×107		
3	Injection method	Direct injection			
4	Compression ratio	17.5:1			
5	Displacement	liter	2.2		
6	Standby power	kW@rpm	35/1500, 40/1800		
7	Rated power	kW@rpm	32/1500, 36/1800		
8	Fuel consumption	g/kW-h	≤245	Rated output conditions	
9	Rated output conditions	25°C, 750mmHg, 30%			
10	Idle speed	Maximum	rpm	1530/1800	/
		Minimum	rpm	/	/
11	Speed regulation	Governor type		Common rail	
		Speed regulation (transient)	%	≤8	
		Speed regulation (steady)	%	≤4	
		Recovery time	sec	≤6	Load 100% →0%
		Stability	rpm	≤30	
12	Allowable tilt angle	Longitudinal	deg	30(25)	Short time (Long time)
		Lateral	deg	30(25)	
13	Firing order	1-3-2	Start from flywheel end		
14	Rotation direction	Counterclockwise(Viewed from the flywheel end)			
15	Engine weight	kg	260		
16	Fuel injection timing	deg	3-5	FITb.T.D.C	
17	Fuel system	Fuel type		Diesel	
		Fuel injection pump		Bosch common rail	
		Fuel injector		Hole-type	
		Fuel filter		Paper filter cartridge	
18	Lubrication system	Type		Forced lubrication	
		Oil grade		APICF-4 , SAE 15W40	Recommended
		Oil pump		Rotary oil pump	
		Oil filter		Paper filter cartridge	
		Oil capacity	liter	7	Maximum
			liter	4.5	Effective
		Oil pressure	kgf/cm <sup>2</sup>	2.4	Rated speed
	kgf/cm <sup>2</sup>	0	Low idle speed		
19	Cooling system	Radiator		Optional	
		Pressure cap	kgf/cm <sup>2</sup>	0.7-0.9	
		Heat dissipation	Kw	22.1 (Recommended area: 12m <sup>2</sup> )	
		Coolant capacity	liter	3.8	Engine only
20	Air filter	Standard		Maximum intake resistance ≤ - 5.5kPa	
21	Breather system	Open type			
22	Starting system	Starter		12V-2.5 kW	
		Battery		100Ah	Recommended
		Cold start device		Optional	
23	Alternator	12V 70A			
24	Engine color	Original color			
25	Emission	EURO V			

In view of the continuous upgrading of product performance, the specific technical parameters please in kind prevail. Xinchai reserves the right of final interpretation.



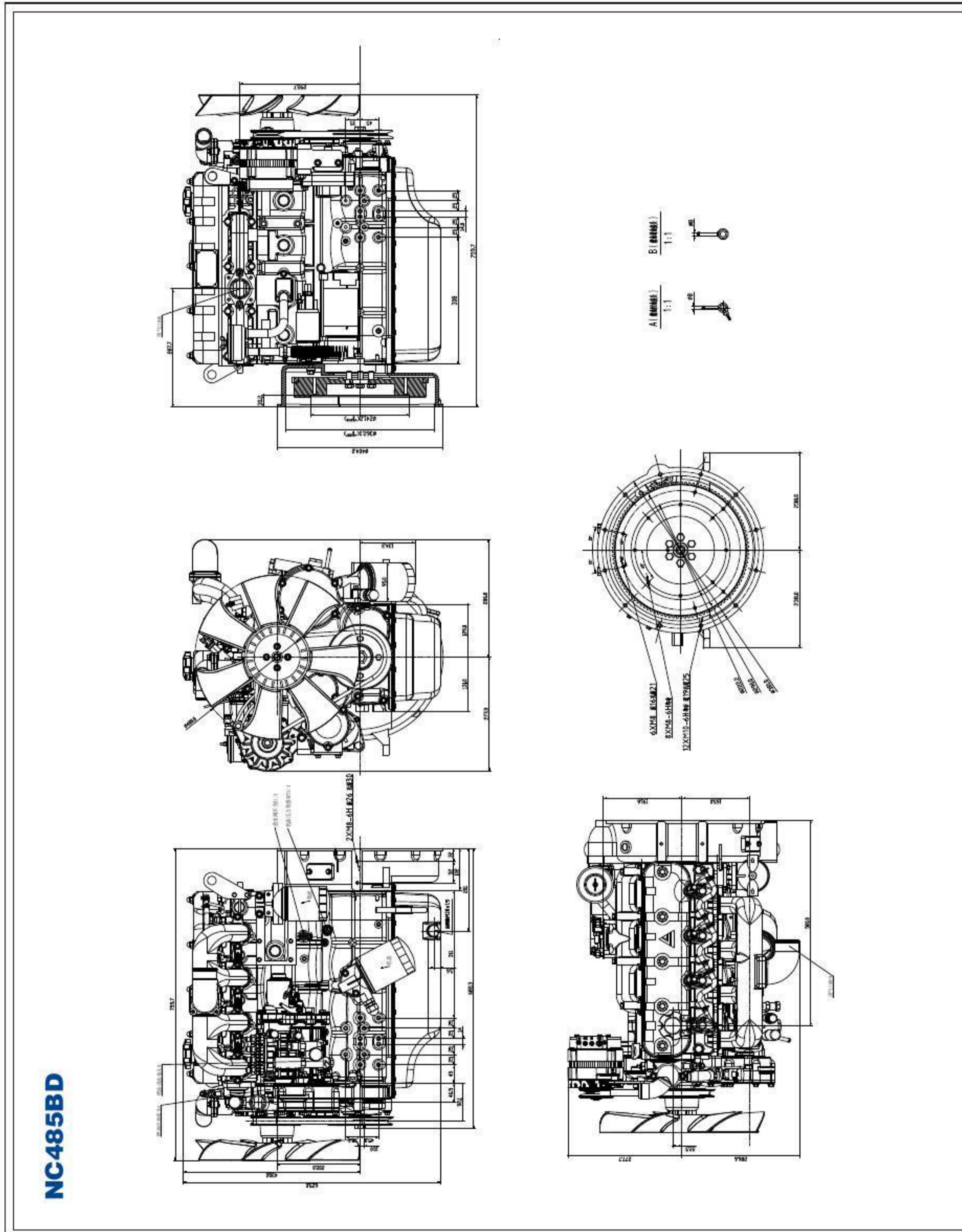
S/N	Model	4E30YD		Remark	
1	Type	Turbocharged 4-stroke inline water-cooled diesel engine			
2	Number of cylinders -Bore× Stroke	mm	4-94×107		
3	Injection method	Direct injection			
4	Compression ratio	17.5:1			
5	Displacement	liter	3.0		
6	Standby power	kW@rpm	54/1500, 60/1800		
7	Rated power	kW@rpm	49/1500, 54/1800		
8	Fuel consumption	g/kW-h	≤245	Rated output conditions	
9	Rated output conditions	25°C, 750mmHg, 30%			
10	Idle speed	Maximum	rpm	1500/1800	/
		Minimum	rpm	/	/
11	Speed regulation	Governor type		Common rail	
		Speed regulation (transient)	%	≤8	
		Speed regulation (steady)	%	≤4	
		Recovery time	sec	≤6	Load 100% →0%
		Stability	rpm	≤30	
12	Allowable tilt angle	Longitudinal	deg	30(25)	Short time (Long time)
		Lateral	deg	30(25)	
13	Firing order	1-3-4-2	Start from flywheel end		
14	Rotation direction	Counterclockwise(Viewed from the flywheel end)			
15	Engine weight	kg	265		
16	Fuel injection timing	deg	3-5	FITb.T.D.C	
17	Fuel system	Fuel type	Diesel		
		Fuel injection pump	Bosch common rail		
		Fuel injector	Hole-type		
	Fuel filter	Paper filter cartridge			
18	Lubrication system	Type	Forced lubrication		
		Oil grade	APICF-4 , SAE 15W40		Recommended
		Oil pump	Rotary oil pump		
		Oil filter	Paper filter cartridge		
		Oil capacity	liter	7	Maximum
			liter	4.5	Effective
		Oil pressure	kgf/cm <sup>2</sup>	2.4	Rated speed
	kgf/cm <sup>2</sup>	0	Low idle speed		
19	Cooling system	Radiator	Optional		
		Pressure cap	kgf/cm <sup>2</sup>	0.7-0.9	
		Heat dissipation	Kw	34 (Recommended area: 18.4m <sup>2</sup> )	
		Coolant capacity	liter	6	Engine only
20	Air filter	Standard		Maximum intake resistance ≤ - 5.5kPa	
21	Breather system	Open type			
22	Starting system	Starter	12V-2.5 kW		
		Battery	100Ah		Recommended
		Cold start device	Optional		
23	Alternator	12V 70A			
24	Engine color	Original color			
25	Emission	EURO V			

In view of the continuous upgrading of product performance, the specific technical parameters please in kind prevail. Xinchai reserves the right of final interpretation.



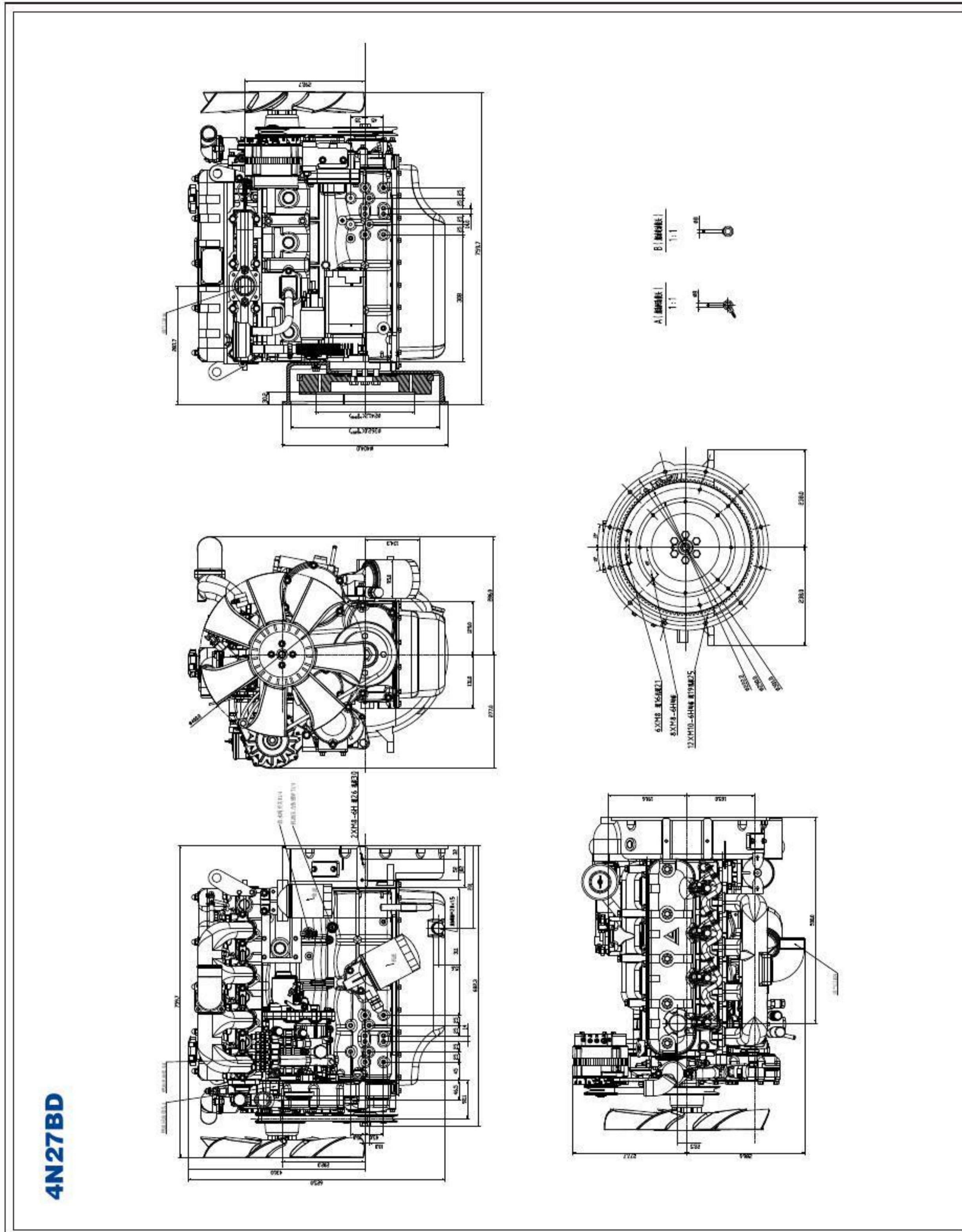
S/N	Model	NC485BD		Remark	
1	Type	Naturally aspirated 4-stroke inline water-cooled diesel engine			
2	Number of cylinders -Bore× Stroke	mm	4-85×100		
3	Injection method	Direct injection			
4	Compression ratio	18.5:1			
5	Displacement	liter	2.3		
6	Standby power	kW@rpm	18/1500, 23/1800		
7	Rated power	kW@rpm	16/1500, 21/1800		
8	Fuel consumption	g/kW-h	≤235	Rated output conditions	
9	Rated output conditions	25°C,750mmHg,30%			
10	Idle speed	Maximum	rpm	1530/1840	±25
		Minimum	rpm	/	/
11	Speed regulation	Governor type		Electrical governor	
		Speed regulation (transient)	%	≤8	
		Speed regulation (steady)	%	≤4	
		Recovery time	sec	≤6	Load 100%→0%
		Stability	rpm	≤30	
12	Allowable tilt angle	Longitudinal	deg	30(25)	Short time (Long time)
		Lateral	deg	30(25)	
13	Firing order	1-3-4-2		Start from flywheel end	
14	Rotation direction			Counterclockwise(Viewed from the flywheel end)	
15	Engine weight	kg	260		
16	Fuel injection timing	deg	16	FITb.T.D.C	
17	Fuel system	Fuel type		Diesel	
		Fuel injection pump		Mechanical inline pump	
		Fuel injector		Hole-type	
		Fuel filter		Paper filter cartridge	
18	Lubrication system	Type		Forced lubrication	
		Oil grade		APICF-4 , SAE 15W40	Recommended
		Oil pump		Rotary oil pump	
		Oil filter		Paper filter cartridge	
		Oil capacity	liter	7	Maximum
			liter	4.5	Effective
		Oil pressure	kgf/cm <sup>2</sup>	2.4	Rated speed
	kgf/cm <sup>2</sup>	0	Low idle speed		
19	Cooling system	Radiator		Optional	
		Pressure cap	kgf/cm <sup>2</sup>	0.7-0.9	
		Heat dissipation	Kw	14 (Recommended area: 11m <sup>2</sup> )	
		Coolant capacity	liter	4.6	Engine only
20	Air filter			Standard	Maximum intake resistance≤- 5.5kPa
21	Breather system			Open type	
22	Starting system	Starter		12V-3.0 kW	
		Battery		100Ah	Recommended
		Cold start device		Optional	
23	Alternator			12V 40A	
24	Engine color			Original color	
25	Emission			China stage II	

In view of the continuous upgrading of product performance,the specific technical parameters please in kind prevail. Xinchai reserves the right of final interpretation.



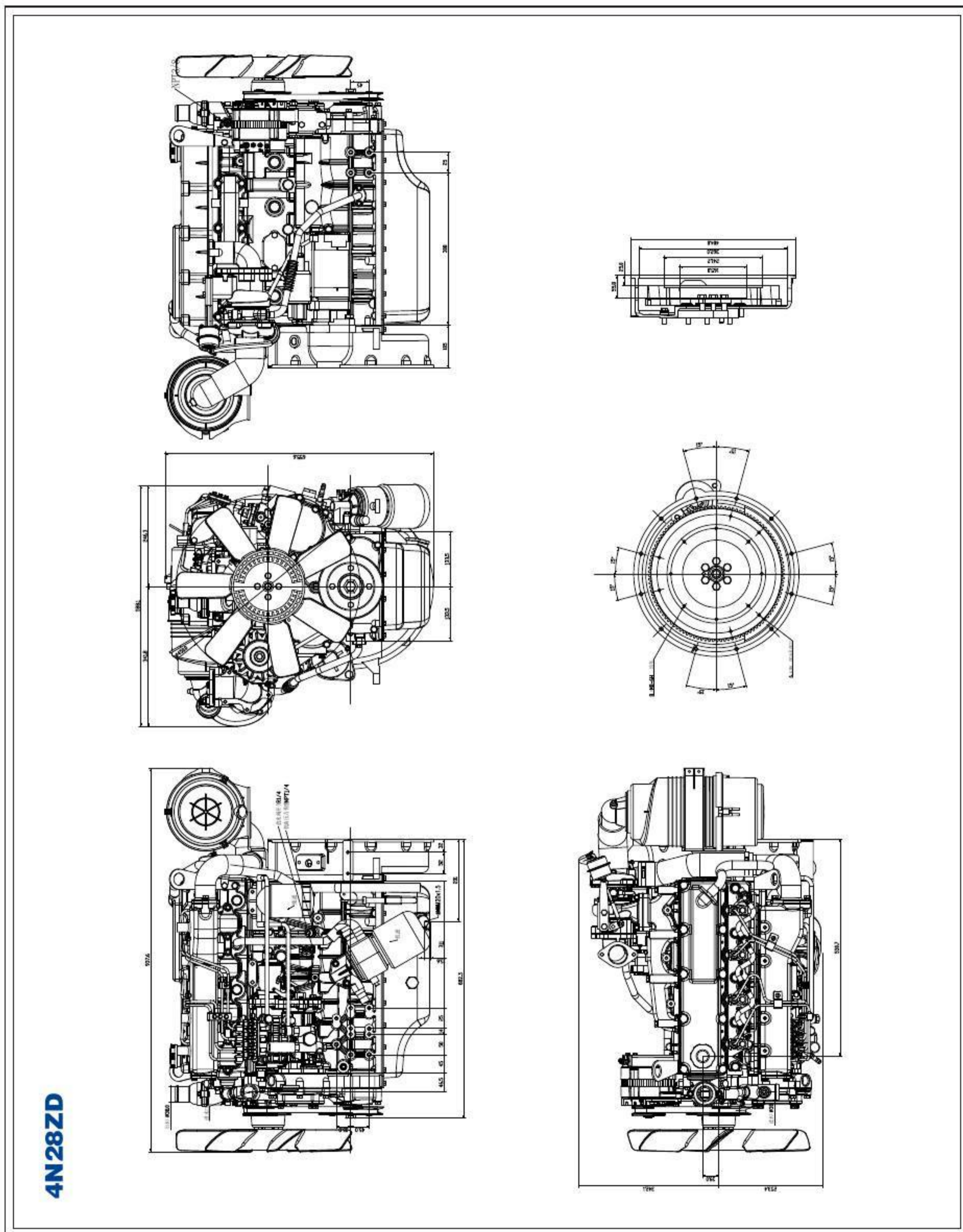
S/N	Model	4N27BD		Remark	
1	Type	Naturally aspirated 4-stroke inline water-cooled diesel engine			
2	Number of cylinders -Bore× Stroke	mm	4-93×100		
3	Injection method	Direct injection			
4	Compression ratio	18:1			
5	Displacement	liter	2.7		
6	Standby power	kW@rpm	24/1500, 29/1800		
7	Rated power	kW@rpm	22/1500, 26/1800		
8	Fuel consumption	g/kW-h	≤235	Rated output conditions	
9	Rated output conditions	25°C, 750mmHg, 30%			
10	Idle speed	Maximum	rpm	1530/1840	±25
		Minimum	rpm	/	/
11	Speed regulation	Governor type		Electrical governor	
		Speed regulation (transient)	%	≤5	
		Speed regulation (steady)	%	≤4	
		Recovery time	sec	≤6	Load 100% →0%
		Stability	rpm	≤30	
12	Allowable tilt angle	Longitudinal	deg	30(25)	Short time (Long time)
		Lateral	deg	30(25)	
13	Firing order	1-3-4-2	Start from flywheel end		
14	Rotation direction	Counterclockwise(Viewed from the flywheel end)			
15	Engine weight	kg	260		
16	Fuel injection timing	deg	12	FITb.T.D.C	
17	Fuel system	Fuel type	Diesel		
		Fuel injection pump	Mechanical inline pump		
		Fuel injector	Hole-type		
	Fuel filter	Paper filter cartridge			
18	Lubrication system	Type	Forced lubrication		
		Oil grade	APICF-4 , SAE 15W40		Recommended
		Oil pump	Rotary oil pump		
		Oil filter	Paper filter cartridge		
		Oil capacity	liter	7	Maximum
		liter	4.5	Effective	
19	Cooling system	Oil pressure	kgf/cm <sup>2</sup>	2.4	Rated speed
			kgf/cm <sup>2</sup>	0	Low idle speed
		Radiator	Optional		
		Pressure cap	kgf/cm <sup>2</sup>	0.7-0.9	
	Heat dissipation	Kw	17 (Recommended area: 11m <sup>2</sup> )		
	Coolant capacity	liter	4.6	Engine only	
20	Air filter	Standard		Maximum intake resistance ≤ - 5.5kPa	
21	Breather system	Open type			
22	Starting system	Starter	12V-3.0 kW		
		Battery	100Ah		Recommended
		Cold start device	Optional		
23	Alternator	12V 40A			
24	Engine color	Original color			
25	Emission	China stage II			

In view of the continuous upgrading of product performance, the specific technical parameters please in kind prevail. Xinchai reserves the right of final interpretation.



S/N	Model	4N28ZD		Remark		
1	Type	Turbocharged 4-stroke inline water-cooled diesel engine				
2	Number of cylinders -Bore× Stroke	mm	4-95×100			
3	Injection method	Direct injection				
4	Compression ratio	18:1				
5	Displacement	liter	2.8			
6	Standby power	kW@rpm	44/1500, 46/1800			
7	Rated power	kW@rpm	39/1500, 42/1800			
8	Fuel consumption	g/kW-h	≤235	Rated output conditions		
9	Rated output conditions	25°C, 750mmHg, 30%				
10	Idle speed	Maximum	rpm	1530/1840	±25	
		Minimum	rpm	/	/	
11	Speed regulation	Governor type		Electrical governor		
		Speed regulation (transient)	%	≤8		
		Speed regulation (steady)	%	≤4		
		Recovery time	sec	≤6	Load 100% →0%	
		Stability	rpm	≤30		
12	Allowable tilt angle	Longitudinal	deg	30(25)	Short time (Long time)	
		Lateral	deg	30(25)		
13	Firing order	1-3-4-2	Start from flywheel end			
14	Rotation direction	Counterclockwise(Viewed from the flywheel end)				
15	Engine weight	kg	250			
16	Fuel injection timing	deg	12	FITb.T.D.C		
17	Fuel system	Fuel type		Diesel		
		Fuel injection pump		Mechanical inline pump		
		Fuel injector		Hole-type		
18	Lubrication system	Fuel filter		Paper filter cartridge		
		Type		Forced lubrication		
		Oil grade		APICF-4 , SAE 15W40	Recommended	
		Oil pump		Rotary oil pump		
		Oil filter		Paper filter cartridge		
19	Cooling system	Oil capacity		7	Maximum	
				4.5	Effective	
		Oil pressure		kgf/cm <sup>2</sup>	2.4	Rated speed
				kgf/cm <sup>2</sup>	0	Low idle speed
20	Air filter	Radiator		Optional		
		Pressure cap		kgf/cm <sup>2</sup>	0.7-0.9	
		Heat dissipation		Kw	32 (Recommended area: 16m <sup>2</sup> )	
		Coolant capacity		liter	4.6	Engine only
21	Breather system	Open type			Maximum intake resistance ≤ - 5.5kPa	
22	Starting system	Starter		12V-3.0 kW		
		Battery		100Ah		
		Cold start device		Optional		
23	Alternator	12V 70A				
24	Engine color	Original color				
25	Emission	China stage II				

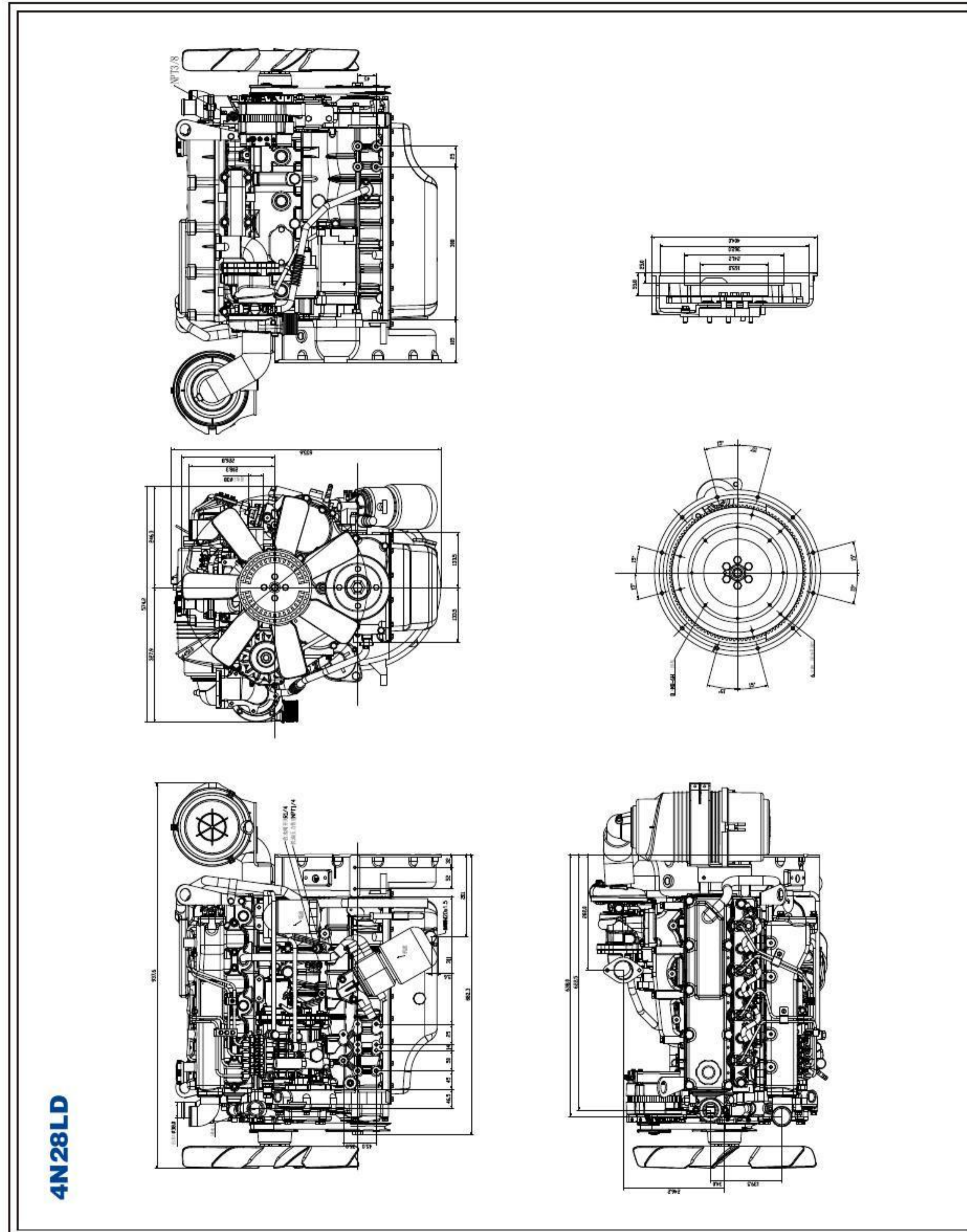
In view of the continuous upgrading of product performance, the specific technical parameters please in kind prevail. Xinchai reserves the right of final interpretation.



4N28LD

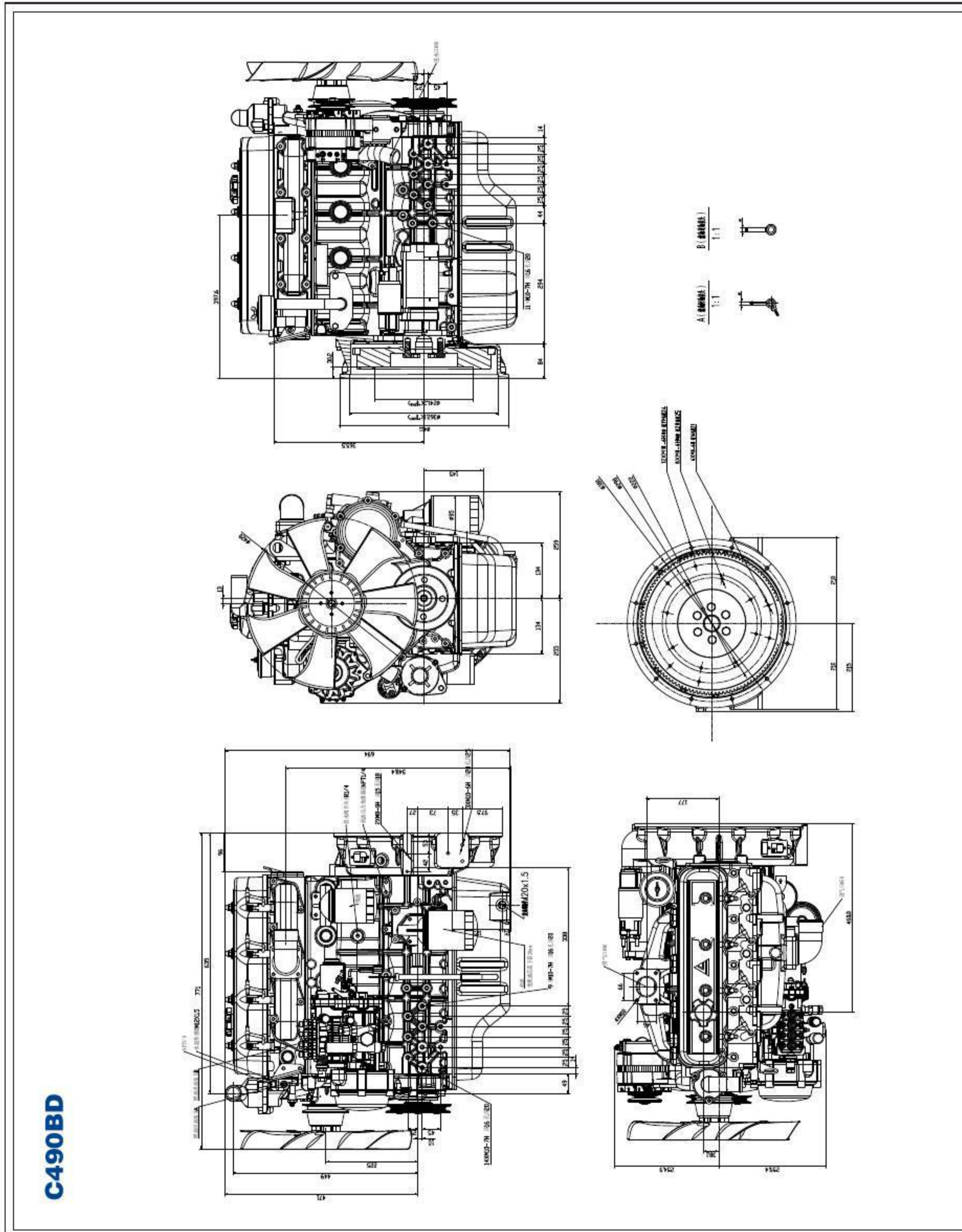
S/N	Model	4N28LD		Remark	
1	Type	Turbocharged intercooled 4-stroke inline water-cooled diesel engine			
2	Number of cylinders -Bore× Stroke	mm	4-95×100		
3	Injection method	Direct injection			
4	Compression ratio	18:1			
5	Displacement	liter	2.8		
6	Standby power	kW@rpm	54/1500, 66/1800		
7	Rated power	kW@rpm	49/1500, 60/1800		
8	Fuel consumption	g/kW-h	≤235	Rated output conditions	
9	Rated output conditions	25°C, 750mmHg, 30%			
10	Idle speed	Maximum	rpm	1530/1840	±25
		Minimum	rpm	/	/
11	Speed regulation	Governor type		Electrical governor	
		Speed regulation (transient)	%	≤8	
		Speed regulation (steady)	%	≤4	
		Recovery time	sec	≤6	Load 100% → 0%
		Stability	rpm	≤30	
12	Allowable tilt angle	Longitudinal	deg	30(25)	Short time (Long time)
		Lateral	deg	30(25)	
13	Firing order	1-3-4-2	Start from flywheel end		
14	Rotation direction	Counterclockwise(Viewed from the flywheel end)			
15	Engine weight	kg	250		
16	Fuel injection timing	deg	12	FITb.T.D.C	
17	Fuel system	Fuel type		Diesel	
		Fuel injection pump		Mechanical inline pump	
		Fuel injector		Hole-type	
		Fuel filter		Paper filter cartridge	
18	Lubrication system	Type		Forced lubrication	
		Oil grade		APICF-4, SAE 15W40	Recommended
		Oil pump		Rotary oil pump	
		Oil filter		Paper filter cartridge	
		Oil capacity	liter	7	Maximum
			liter	4.5	Effective
		Oil pressure	kgf/cm <sup>2</sup>	2.4	Rated speed
	kgf/cm <sup>2</sup>	0	Low idle speed		
19	Cooling system	Radiator		Optional	
		Pressure cap	kgf/cm <sup>2</sup>	0.7-0.9	
		Heat dissipation	Kw	32 (Recommended area: 16m <sup>2</sup> )	
		Coolant capacity	liter	4.6	Engine only
20	Air filter	Standard		Maximum intake resistance ≤ -5.5kPa	
21	Breather system	Open type			
22	Starting system	Starter		12V-3.0 kW	
		Battery		100Ah	
		Cold start device		Optional	
23	Alternator	12V 70A			
24	Engine color	Original color			
25	Emission	China stage II			

In view of the continuous upgrading of product performance, the specific technical parameters please in kind prevail. Xinchai reserves the right of final interpretation.



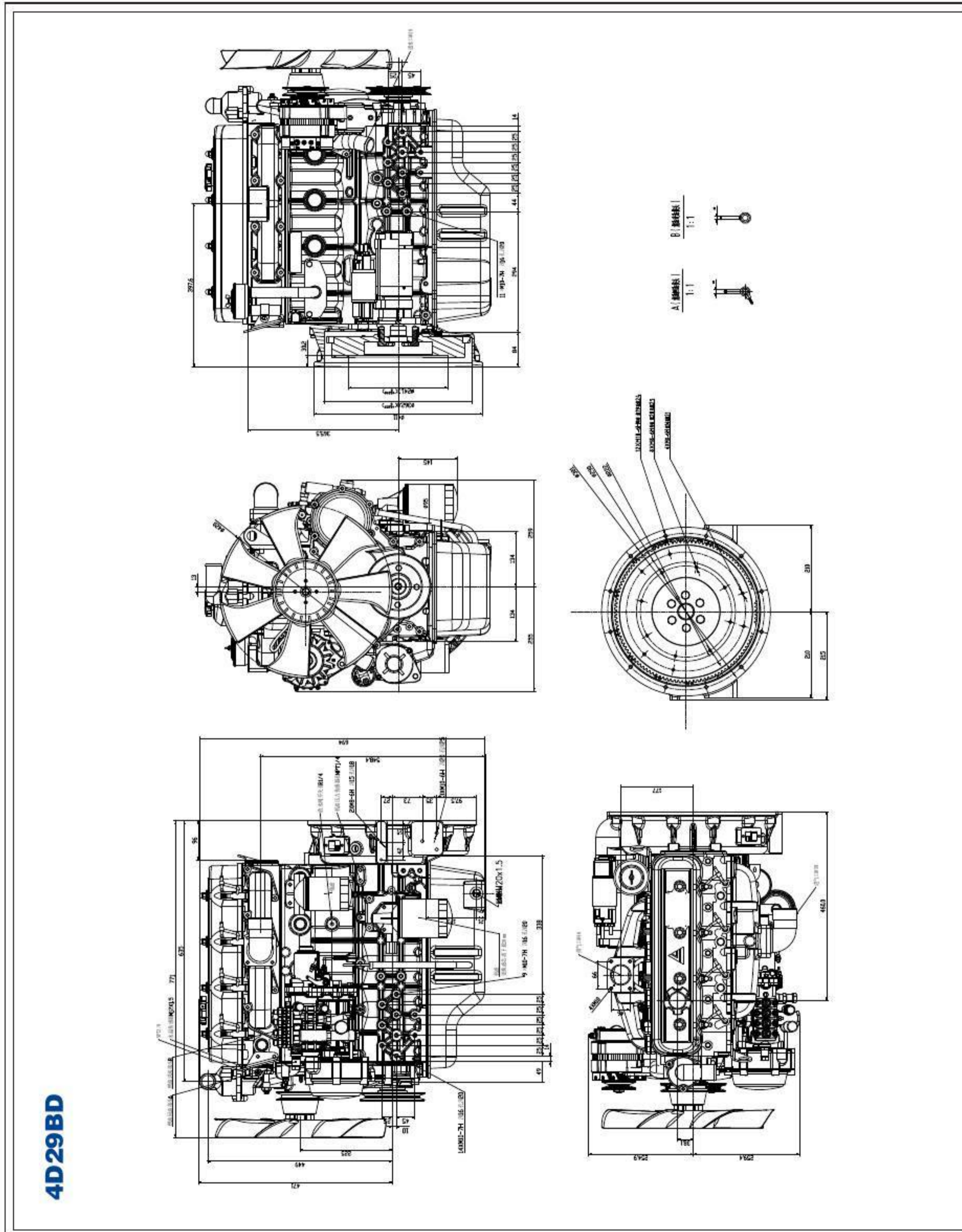
S/N	Model	C490BD		Remark	
1	Type	Naturally aspirated 4-stroke inline water-cooled diesel engine			
2	Number of cylinders -Bore× Stroke	mm	4-90×105		
3	Injection method	Direct injection			
4	Compression ratio	18.5:1			
5	Displacement	liter	2.7		
6	Standby power	kW@rpm	24/1500, 29/1800		
7	Rated power	kW@rpm	22/1500, 26/1800		
8	Fuel consumption	g/kW-h	≤235	Rated output conditions	
9	Rated output conditions	25°C, 750mmHg, 30%			
10	Idle speed	Maximum	rpm	1530/1840	±25
		Minimum	rpm	/	/
11	Speed regulation	Governor type		Electrical governor	
		Speed regulation (transient)	%	≤8	
		Speed regulation (steady)	%	≤4	
		Recovery time	sec	≤6	Load 100% →0%
		Stability	rpm	≤30	
12	Allowable tilt angle	Longitudinal	deg	30(25)	Short time (Long time)
		Lateral	deg	30(25)	
13	Firing order	1-3-4-2	Start from flywheel end		
14	Rotation direction	Counterclockwise(Viewed from the flywheel end)			
15	Engine weight	kg	265		
16	Fuel injection timing	deg	16	FITb.T.D.C	
17	Fuel system	Fuel type		Diesel	
		Fuel injection pump		Mechanical inline pump	
		Fuel injector		Hole-type	
		Fuel filter		Paper filter cartridge	
18	Lubrication system	Type		Forced lubrication	
		Oil grade		APICF-4 , SAE 15W40	Recommended
		Oil pump		Rotary oil pump	
		Oil filter		Paper filter cartridge	
		Oil capacity	liter	8	Maximum
			liter	6.5	Effective
		Oil pressure	kgf/cm <sup>2</sup>	2.4	Rated speed
	kgf/cm <sup>2</sup>	0	Low idle speed		
19	Cooling system	Radiator		Optional	
		Pressure cap	kgf/cm <sup>2</sup>	0.7-0.9	
		Heat dissipation	Kw	17 (Recommended area: 11m <sup>2</sup> )	
		Coolant capacity	liter	5.2	Engine only
20	Air filter	Standard		Maximum intake resistance ≤ - 5.5kPa	
21	Breather system	Open type			
22	Starting system	Starter		12V-3.8 kW	
		Battery		100Ah	Recommended
		Cold start device		Optional	
23	Alternator	12V 70A			
24	Engine color	Original color			
25	Emission	China stage II			

In view of the continuous upgrading of product performance, the specific technical parameters please in kind prevail. Xinchai reserves the right of final interpretation.



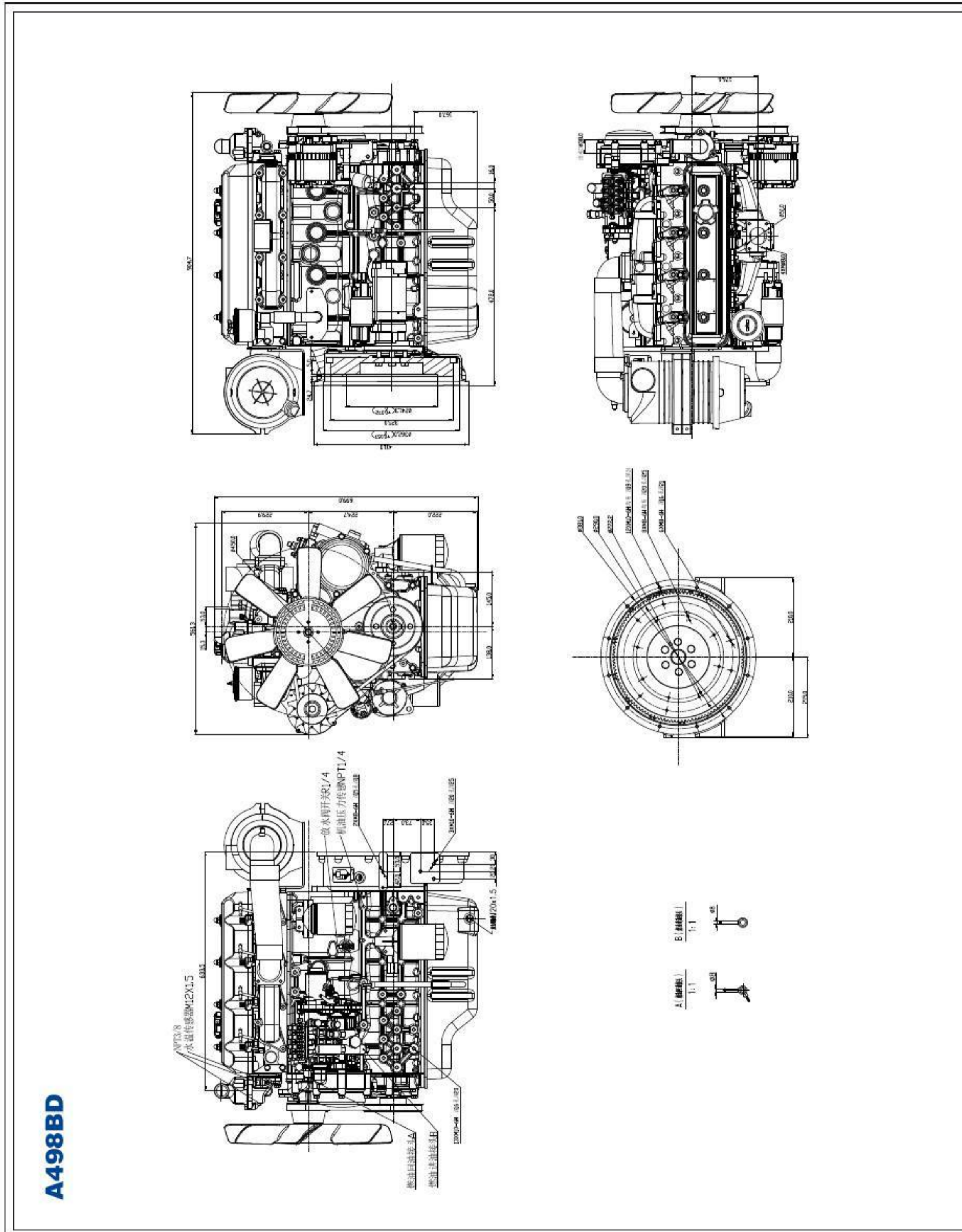
S/N	Model	4D29BD		Remark	
1	Type	Naturally aspirated 4-stroke inline water-cooled diesel engine			
2	Number of cylinders -Bore× Stroke	mm	4-93×105		
3	Injection method	Direct Injection			
4	Compression ratio	18.5:1			
5	Displacement	liter	2.9		
6	Standby power	kW@rpm	30/1500, 33/1800		
7	Rated power	kW@rpm	27/1500, 30/1800		
8	Fuel consumption	g/kW-h	≤235	Rated output conditions	
9	Rated output conditions	25°C,750mmHg,30%			
10	Idle speed	Maximum	rpm	1530/1840	±25
		Minimum	rpm	/	/
11	Speed regulation	Governor type	Electrical governor		
		Speed regulation (transient)	%	≤8	
		Speed regulation (steady)	%	≤4	
		Recovery time	sec	≤6	Load 100%→0%
		Stability	rpm	≤30	
12	Allowable tilt angle	Longitudinal	deg	30(25)	Short time (Long time)
		Lateral	deg	30(25)	
13	Firing order	1-3-4-2	Start from Flywheel End		
14	Rotation direction	Counterclockwise(Viewed from the flywheel end)			
15	Engine weight	kg	265		
16	Fuel injection timing	deg	16	FITb.T.D.C	
17	Fuel system	Fuel type	Diesel		
		Fuel injection pump	Mechanical inline pump		
		Fuel injector	Hole-type		
		Fuel filter	Paper filter cartridge		
18	Lubrication system	Type	Forced lubrication		
		Oil grade	APICF-4 , SAE 15W40		Recommended
		Oil pump	Rotary oil pump		
		Oil filter	Paper filter cartridge		
		Oil capacity	liter	8	Maximum
			liter	6.5	Effective
19	Cooling system	Oil pressure	kgf/cm <sup>2</sup>	2.4	Rated speed
			kgf/cm <sup>2</sup>	0	Low idle speed
		Radiator	Optional		
		Pressure cap	kgf/cm <sup>2</sup>	0.7-0.9	
20	Air filter	Heat dissipation	Kw	22 (Recommended area: 12m <sup>2</sup> )	
		Coolant capacity	liter	5.2	Engine only
21	Breather system	Open type			Maximum intake resistance ≤ - 5.5kPa
22	Starting system	Starter	12V-3.8 kW		
		Battery	100Ah		
		Cold start device	Optional		
23	Alternator	12V 40A			
24	Engine color	Original Color			
25	Emission	China stage II			

In view of the continuous upgrading of product performance,the specific technical parameters please in kind prevail. Xinchai reserves the right of final interpretation.



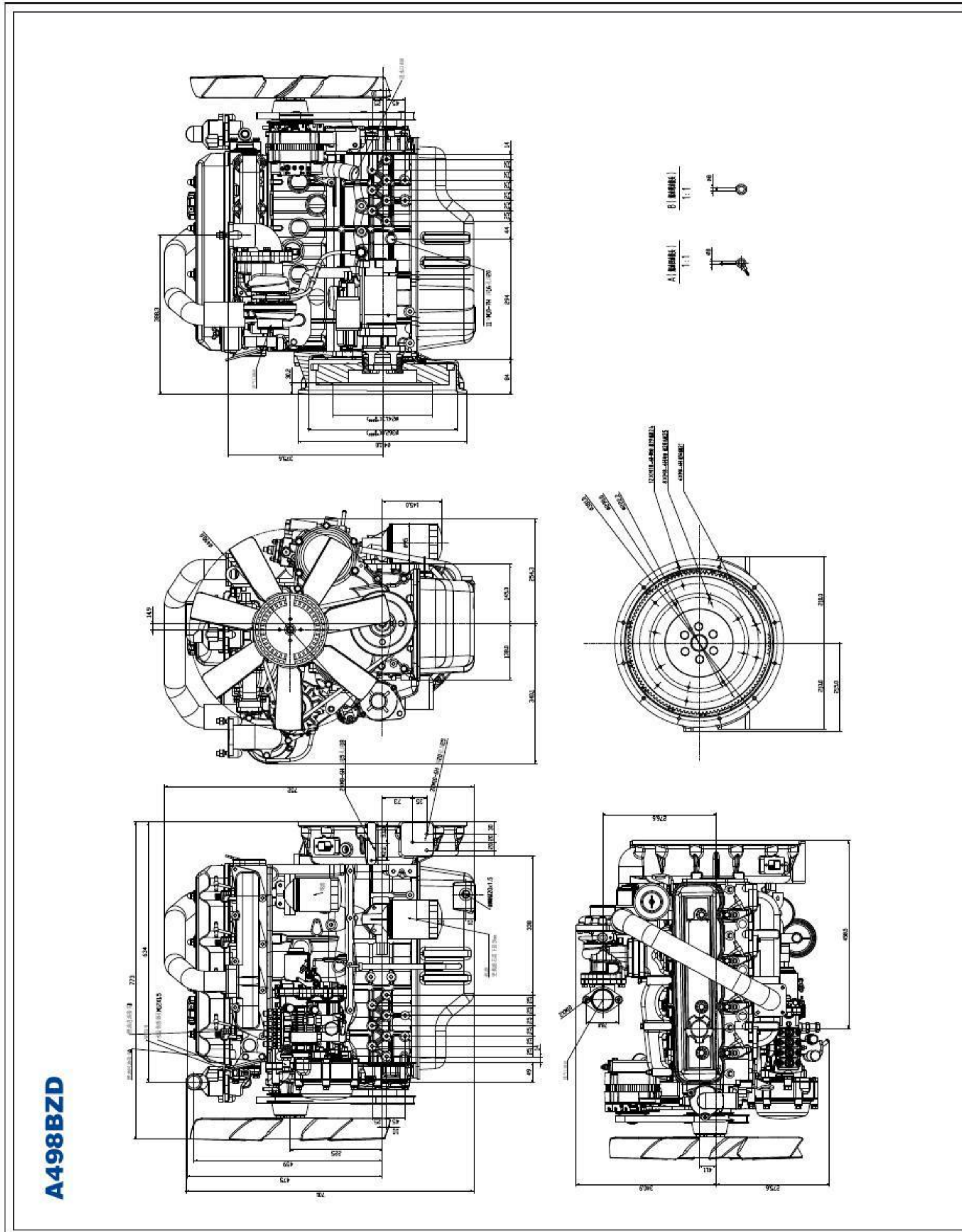
S/N	Model	A498BD		Remark	
1	Type	Naturally aspirated 4-stroke inline water-cooled diesel engine			
2	Number of cylinders -Bore× Stroke	mm	4-98×105		
3	Injection method	Direct injection			
4	Compression ratio	18.5:1			
5	Displacement	liter	3.2		
6	Standby power	kW@rpm	35/1500, 42/1800		
7	Rated power	kW@rpm	32/1500, 38/1800		
8	Fuel consumption	g/kW-h	≤235	Rated output conditions	
9	Rated output conditions	25°C, 750mmHg, 30%			
10	Idle speed	Maximum	rpm	1530/1840	±25
		Minimum	rpm	/	/
11	Speed regulation	Governor type		Electrical governor	
		Speed regulation (transient)	%	≤8	
		Speed regulation (steady)	%	≤4	
		Recovery time	sec	≤6	Load 100% →0%
		Stability	rpm	≤30	
12	Allowable tilt angle	Longitudinal	deg	30(25)	Short time (Long time)
		Lateral	deg	30(25)	
13	Firing order	1-3-4-2	Start from flywheel end		
14	Rotation direction	Counterclockwise(Viewed from the flywheel end)			
15	Engine weight	kg	265		
16	Fuel injection timing	deg	16	FITb.T.D.C	
17	Fuel system	Fuel type	Diesel		
		Fuel injection pump	Mechanical inline pump		
		Fuel injector	Hole-type		
18	Lubrication system	Fuel filter	Paper filter cartridge		
		Type	Forced lubrication		
		Oil grade	APICF-4 , SAE 15W40		Recommended
		Oil pump	Rotary oil pump		
		Oil filter	Paper filter cartridge		
		Oil capacity	liter	8	Maximum
19	Cooling system		liter	6.5	Effective
		Oil pressure	kgf/cm <sup>2</sup>	2.4	Rated speed
			kgf/cm <sup>2</sup>	0	Low idle speed
		Radiator	Optional		
20	Air filter	Pressure cap	kgf/cm <sup>2</sup>	0.7-0.9	
		Heat dissipation	Kw	28 (Recommended area: 14m <sup>2</sup> )	
		Coolant capacity	liter	5.2	Engine only
21	Breather system	Open type			Maximum intake resistance ≤ - 5.5kPa
22	Starting system	Starter	12V-3.8 kW		
		Battery	100Ah		Recommended
		Cold start device	Optional		
23	Alternator	12V 40A			
24	Engine color	Original color			
25	Emission	China stage II			

In view of the continuous upgrading of product performance, the specific technical parameters please in kind prevail. Xinchai reserves the right of final interpretation.



S/N	Model	A498BZD		Remark	
1	Type	Turbocharged 4-stroke inline water-cooled diesel engine			
2	Number of cylinders -Bore× Stroke	mm	4-98×105		
3	Injection method	Direct injection			
4	Compression ratio	18.5:1			
5	Displacement	liter	3.2		
6	Standby power	kW@rpm	44/1500, 46/1800		
7	Rated power	kW@rpm	39/1500, 42/1800		
8	Fuel consumption	g/kW-h	≤235	Rated output conditions	
9	Rated output conditions	25°C, 750mmHg, 30%			
10	Idle speed	Maximum	rpm	1530/1840	±25
		Minimum	rpm	/	/
11	Speed regulation	Governor type		Electrical governor	
		Speed regulation (transient)	%	≤8	
		Speed regulation (steady)	%	≤4	
		Recovery time	sec	≤6	Load 100% →0%
		Stability	rpm	≤30	
12	Allowable tilt angle	Longitudinal	deg	30(25)	Short time (Long time)
		Lateral	deg	30(25)	
13	Firing order	1-3-4-2	Start from flywheel end		
14	Rotation direction	Counterclockwise(Viewed from the flywheel end)			
15	Engine weight	kg	270		
16	Fuel injection timing	deg	16	FITb.T.D.C	
17	Fuel system	Fuel type	Diesel		
		Fuel injection pump	Mechanical inline pump		
		Fuel injector	Hole-type		
	Fuel filter	Paper filter cartridge			
18	Lubrication system	Type		Forced lubrication	
		Oil grade	APICF-4 , SAE 15W40		Recommended
		Oil pump	Rotary oil pump		
		Oil filter	Paper filter cartridge		
		Oil capacity	liter	8	Maximum
			liter	6.5	Effective
19	Cooling system	Oil pressure	kgf/cm <sup>2</sup>	2.4	Rated speed
			kgf/cm <sup>2</sup>	0	Low idle speed
		Radiator	Optional		
	Pressure cap	kgf/cm <sup>2</sup>	0.7-0.9		
	Heat dissipation	Kw	32 (Recommended area: 16m <sup>2</sup> )		
	Coolant capacity	liter	5.2	Engine only	
20	Air filter	Standard		Maximum intake resistance ≤ -5.5kPa	
21	Breather system	Open type			
22	Starting system	Starter	12V-3.8 kW		
		Battery	100Ah		Recommended
	Cold start device	Optional			
23	Alternator	12V 40A			
24	Engine color	Original color			
25	Emission	China stage II			

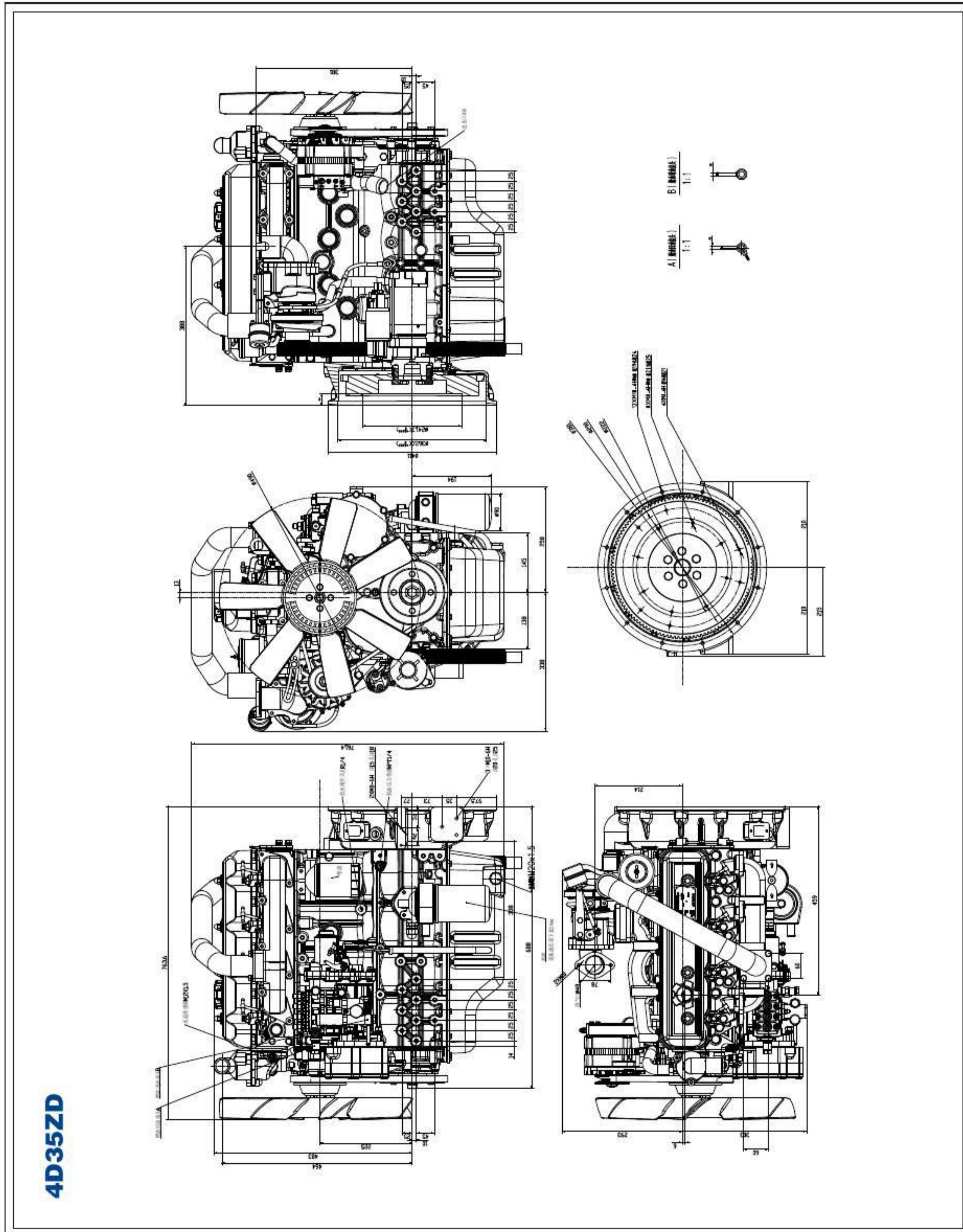
In view of the continuous upgrading of product performance, the specific technical parameters please in kind prevail. Xinchai reserves the right of final interpretation.



A498BZD

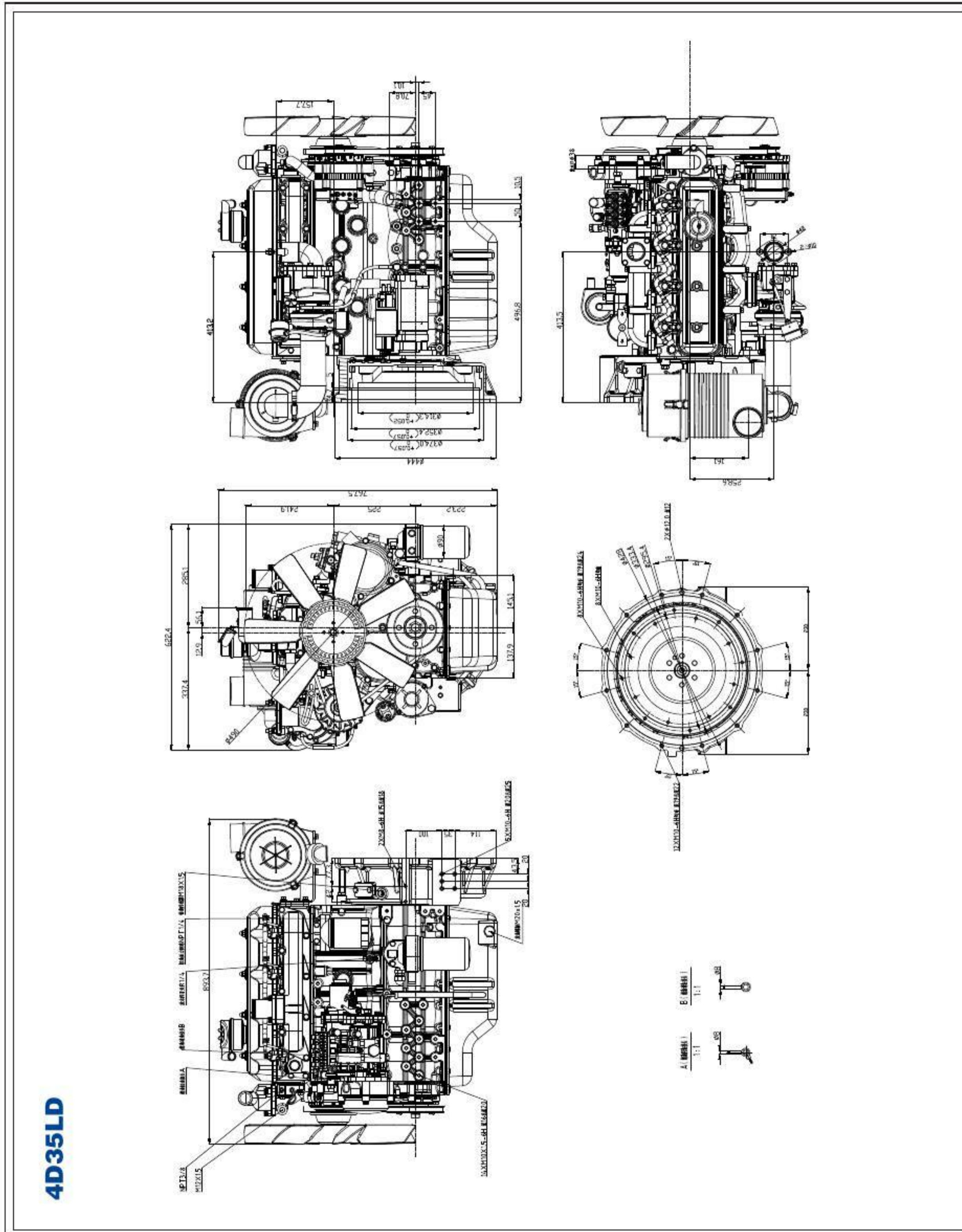
S/N	Model	4D35ZD	Remark			
1	Type	Turbocharged 4-stroke inline water-cooled diesel engine				
2	Number of cylinders -Bore× Stroke	mm	4-98×115			
3	Injection method	Direct injection				
4	Compression ratio	18.5:1				
5	Displacement	liter	3.5			
6	Standby power	kW@rpm	54/1500, 66/1800			
7	Rated power	kW@rpm	49/1500, 60/1800			
8	Fuel consumption	g/kW-h	≤235	Rated output conditions		
9	Rated output conditions	25°C, 750mmHg, 30%				
10	Idle speed	Maximum	rpm	1530/1840	±25	
		Minimum	rpm	/	/	
11	Speed regulation	Governor type		Electrical governor		
		Speed regulation (transient)	%	≤10	Load 100% →0%	
		Speed regulation (steady)	%	≤4		
		Recovery time	sec	≤4		
		Stability	rpm	≤15		
Allowable tilt angle	Longitudinal	deg	25(35)	Short time (Long time)		
Lateral	deg	35(35)				
13	Firing order	1-3-4-2			Start from flywheel end	
14	Rotation direction	Counterclockwise(Viewed from the flywheel end)				
15	Engine weight	kg	320			
16	Fuel injection timing	deg	11		FITb.T.D.C	
17	Fuel system	Fuel type	Diesel			
		Fuel injection pump	Mechanical inline pump			
		Fuel injector	Porous-type			
18	Lubrication system	Fuel filter	Paper filter cartridge			
		Type	Forced lubrication			
		Oil grade	APICF-4 , SAE 15W40			Recommended
		Oil pump	Secondary cycloid (gear) pump			
		Oil filter	Paper filter cartridge			
		Oil capacity	liter	8		Maximum
			liter	6.5		Effective
19	Cooling system	Oil pressure	kgf/cm <sup>2</sup>	2.4		Rated speed
			kgf/cm <sup>2</sup>	0		Low idle speed
		Radiator	Optional			
		Pressure cap	kgf/cm <sup>2</sup>	0.9		
20	Air filter	Heat dissipation	Kw	40 (Recommended area: 20m <sup>2</sup> )		
		Coolant capacity	liter	6.3		Engine only
		Air filter	Standard			Maximum intake resistance ≤ -5.5kPa
21	Breather system	Open type				
22	Starting system	Starter	12V-3.8 kW			
		Battery	120Ah		Recommended	
		Cold start device	Glow plug			
23	Alternator	12V 40A				
24	Engine color	Original color				
25	Emission	China stage II				

In view of the continuous upgrading of product performance, the specific technical parameters please in kind prevail. Xinchai reserves the right of final interpretation.



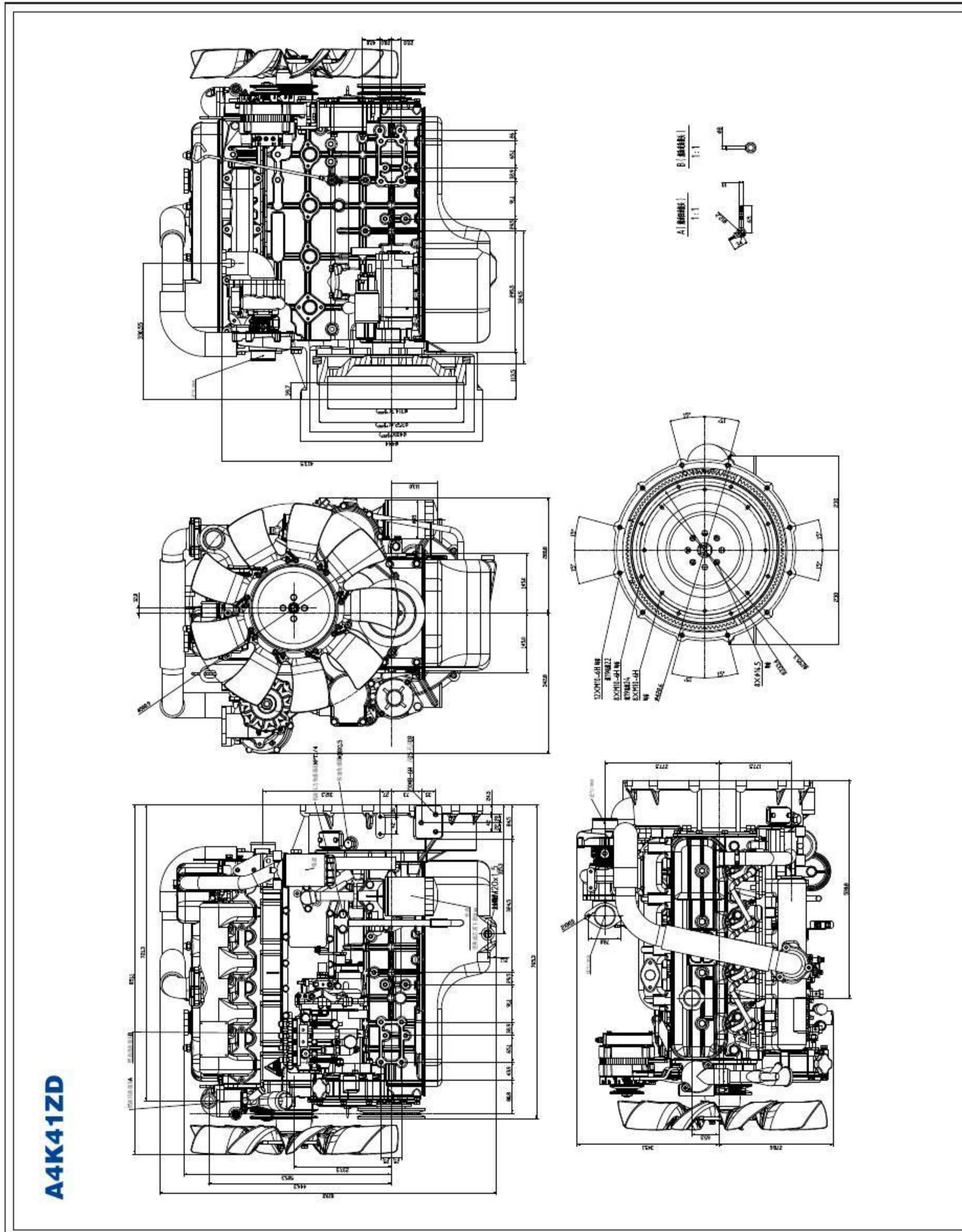
S/N	Model	4D35LD		Remark	
1	Type	Turbocharged intercooled 4-stroke inline water-cooled diesel engine			
2	Number of cylinders -Bore× Stroke	mm	4-98×115		
3	Injection method	Direct injection			
4	Compression ratio	18.5:1			
5	Displacement	liter	3.5		
6	Standby power	kW@rpm	70/1500, 83/1800		
7	Rated power	kW@rpm	64/1500, 76/1800		
8	Fuel consumption	g/kW-h	≤235	Rated output conditions	
9	Rated output conditions	25°C,750mmHg,30%			
10	Idle speed	Maximum	rpm	1530/1840	±25
		Minimum	rpm	/	/
11	Speed regulation	Governor type		Electrical governor	
		Speed regulation (transient)	%	≤10	
		Speed regulation (steady)	%	≤4	
		Recovery time	sec	≤4	Load 100%→0%
		Stability	rpm	≤15	
12	Allowable tilt angle	Longitudinal	deg	25(35)	Short time (Long time)
		Lateral	deg	35(35)	
13	Firing order	1-3-4-2	Start from flywheel end		
14	Rotation direction	Counterclockwise(Viewed from the flywheel end)			
15	Engine weight	kg	320		
16	Fuel injection timing	deg	11	FITb.T.D.C	
17	Fuel system	Fuel type	Diesel		
		Fuel injection pump	Mechanical inline pump		
		Fuel injector	Porous-type		
	Fuel filter	Paper filter cartridge			
18	Lubrication system	Type	Forced lubrication		
		Oil grade	APICF-4 , SAE 15W40		Recommended
		Oil pump	Secondary cycloid (gear) pump		
		Oil filter	Paper filter cartridge		
		Oil capacity	liter	8	Maximum
			liter	6.5	Effective
19	Cooling system	Oil pressure	kgf/cm <sup>2</sup>	2.4	Rated speed
			kgf/cm <sup>2</sup>	0	Low idle speed
		Radiator	Optional		
		Pressure cap	kgf/cm <sup>2</sup>	0.9	
	Heat dissipation	Kw	45 (Recommended area: 24m <sup>2</sup> )		
	Coolant capacity	liter	6.3	Engine only	
20	Air filter	Standard		Maximum intake resistance≤-5.5kPa	
21	Breather system	Open type			
22	Starting system	Starter	12V-3.8 kW		
		Battery	120Ah		Recommended
		Cold start device	Optional		
23	Alternator	12V 40A			
24	Engine color	Original color			
25	Emission	China stage II			

In view of the continuous upgrading of product performance,the specific technical parameters please in kind prevail. Xinchai reserves the right of final interpretation.



S/N	Model	A4K41ZD		Remark	
1	Type	Turbocharged 4-stroke inline water-cooled diesel engine			
2	Number of cylinders -Bore× Stroke	mm	4-105×118		
3	Injection method	Direct injection			
4	Compression ratio	18.5:1			
5	Displacement	liter	4.1		
6	Standby power	kW@rpm	66/1500, 77/1800		
7	Rated power	kW@rpm	60/1500, 70/1800		
8	Fuel consumption	g/kW-h	≤235	Rated output conditions	
9	Rated output conditions	25°C,750mmHg,30%			
10	Idle speed	Maximum	rpm	1530/1840	±25
		Minimum	rpm	/	/
11	Speed regulation	Governor type		Electrical governor	
		Speed regulation (transient)	%	≤8	
		Speed regulation (steady)	%	≤4	
		Recovery time	sec	≤6	Load 100%→0%
		Stability	rpm	≤30	
12	Allowable tilt angle	Longitudinal	deg	30(25)	Short time (Long time)
		Lateral	deg	30(25)	
13	Firing order	1-3-4-2	Start from flywheel end		
14	Rotation direction	Counterclockwise(Viewed from the flywheel end)			
15	Engine weight	kg	380		
16	Fuel injection timing	deg	12	FITb.T.D.C	
17	Fuel system	Fuel type	Diesel		
		Fuel injection pump	Mechanical inline pump		
		Fuel injector	Hole-type		
		Fuel filter	Paper filter cartridge		
18	Lubrication system	Type	Forced lubrication		
		Oil grade	APICF-4 , SAE 15W40		Recommended
		Oil pump	Rotary oil pump		
		Oil filter	Paper filter cartridge		
		Oil capacity	liter	8	Maximum
			liter	6.5	Effective
19	Cooling system	Oil pressure	kgf/cm <sup>2</sup>	2.4	Rated speed
			kgf/cm <sup>2</sup>	0	Low idle speed
		Radiator	Optional		
		Pressure cap	kgf/cm <sup>2</sup>	0.7-0.9	
20	Cooling system	Heat dissipation	Kw	42 (Recommended area: 23m <sup>2</sup> )	
		Coolant capacity	liter	6.7	Engine only
		Air filter	Standard		Maximum intake resistance≤-5.5kPa
21	Breather system	Open type			
22	Starting system	Starter	12V-3.8 kW		
		Battery	100Ah		Recommended
		Cold start device	Optional		
23	Alternator	12V 40A			
24	Engine color	Original color			
25	Emission	China stage II			

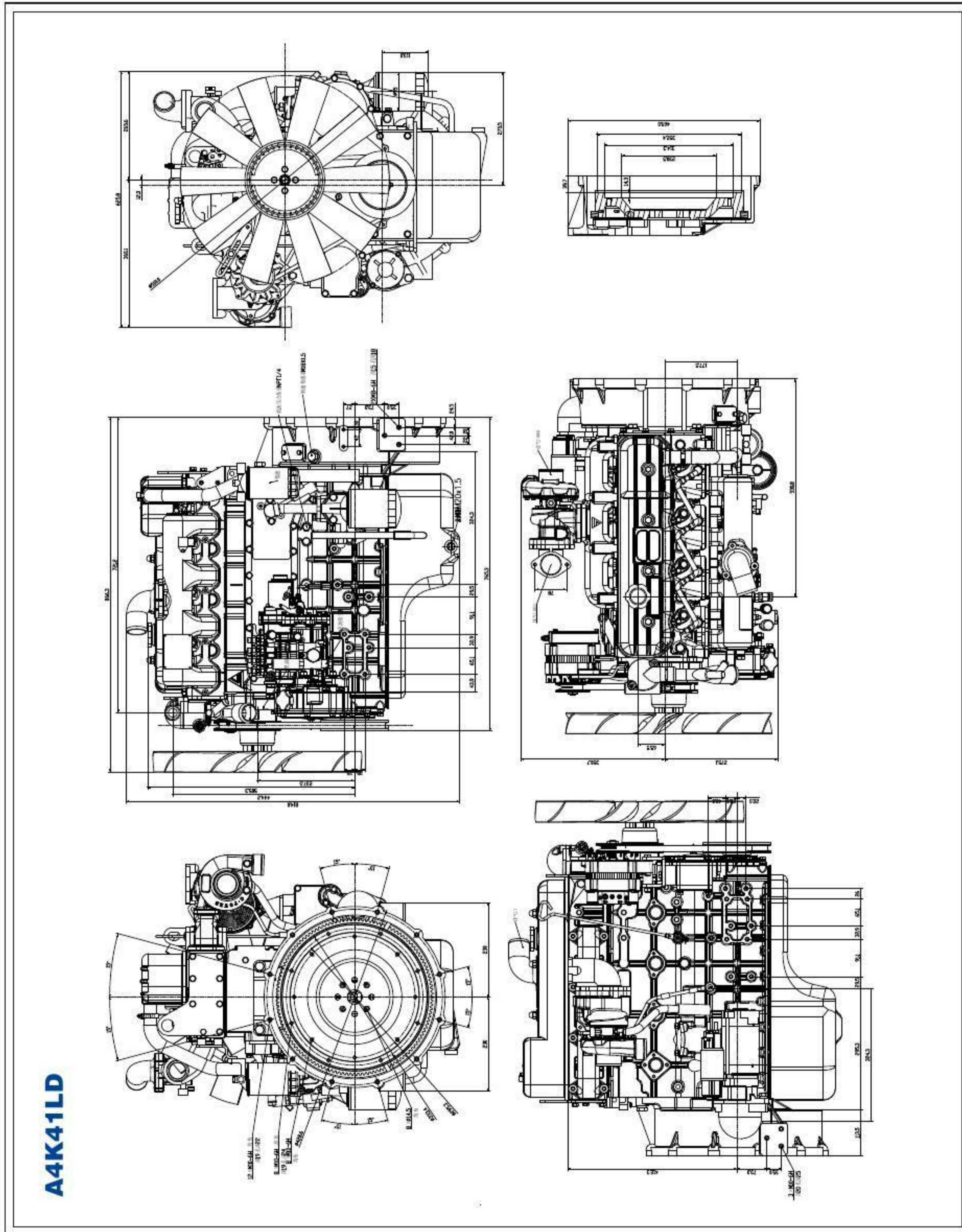
In view of the continuous upgrading of product performance,the specific technical parameters please in kind prevail. Xinchai reserves the right of final interpretation.



A4K41ZD

S/N	Model	A4K41LD		Remark	
1	Type	Turbocharged intercooled 4-stroke inline water-cooled diesel engine			
2	Number of cylinders -Bore× Stroke	mm	4-105×118		
3	Injection method	Direct injection			
4	Compression ratio	18.5:1			
5	Displacement	liter	4.1		
6	Standby power	kW@rpm	70/1500, 83/1800		
7	Rated power	kW@rpm	64/1500, 76/1800		
8	Fuel consumption	g/kW-h	≤235	Rated output conditions	
9	Rated output conditions	25°C,750mmHg,30%			
10	Idle speed	Maximum	rpm	1530/1840	±25
		Minimum	rpm	/	/
11	Speed regulation	Governor type		Electrical governor	
		Speed regulation (transient)	%	≤8	
		Speed regulation (steady)	%	≤4	
		Recovery time	sec	≤6	Load 100%→0%
		Stability	rpm	≤30	
12	Allowable tilt angle	Longitudinal	deg	30(25)	Short time (Long time)
		Lateral	deg	30(25)	
13	Firing order	1-3-4-2	Start from flywheel end		
14	Rotation direction	Counterclockwise(Viewed from the flywheel end)			
15	Engine weight	kg	380		
16	Fuel injection timing	deg	12	FITb.T.D.C	
17	Fuel system	Fuel type		Diesel	
		Fuel injection pump		Mechanical inline pump	
		Fuel injector		Hole-type	
		Fuel filter		Paper filter cartridge	
18	Lubrication system	Type		Forced lubrication	
		Oil grade		APICF-4 , SAE 15W40	Recommended
		Oil pump		Rotary oil pump	
		Oil filter		Paper filter cartridge	
		Oil capacity	liter	8	Maximum
			liter	6.5	Effective
		Oil pressure	kgf/cm <sup>2</sup>	2.4	Rated speed
	kgf/cm <sup>2</sup>	0	Low idle speed		
19	Cooling system	Radiator		Optional	
		Pressure cap	kgf/cm <sup>2</sup>	0.7-0.9	
		Heat dissipation	Kw	44 (Recommended area: 24m <sup>2</sup> )	
		Coolant capacity	liter	5.6	Engine only
20	Air filter	Standard		Maximum intake resistance≤-5.5kPa	
21	Breather system	Open type			
22	Starting system	Starter		12V-3.8 kW	
		Battery		120Ah	Recommended
		Cold start device		Optional	
23	Alternator	12V 40A			
24	Engine color	Original color			
25	Emission	China stage II			

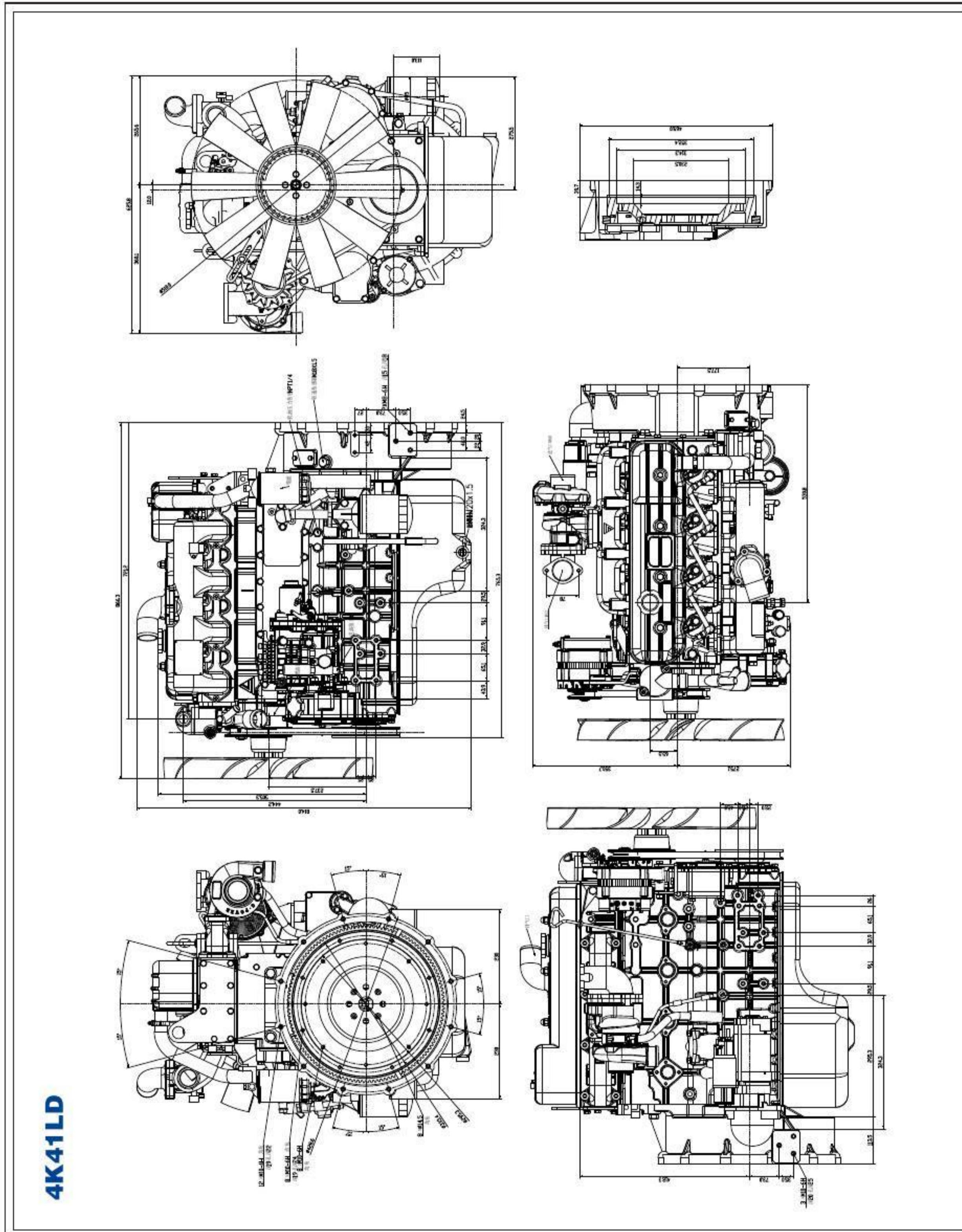
In view of the continuous upgrading of product performance,the specific technical parameters please in kind prevail. Xinchai reserves the right of final interpretation.



**A4K41LD**

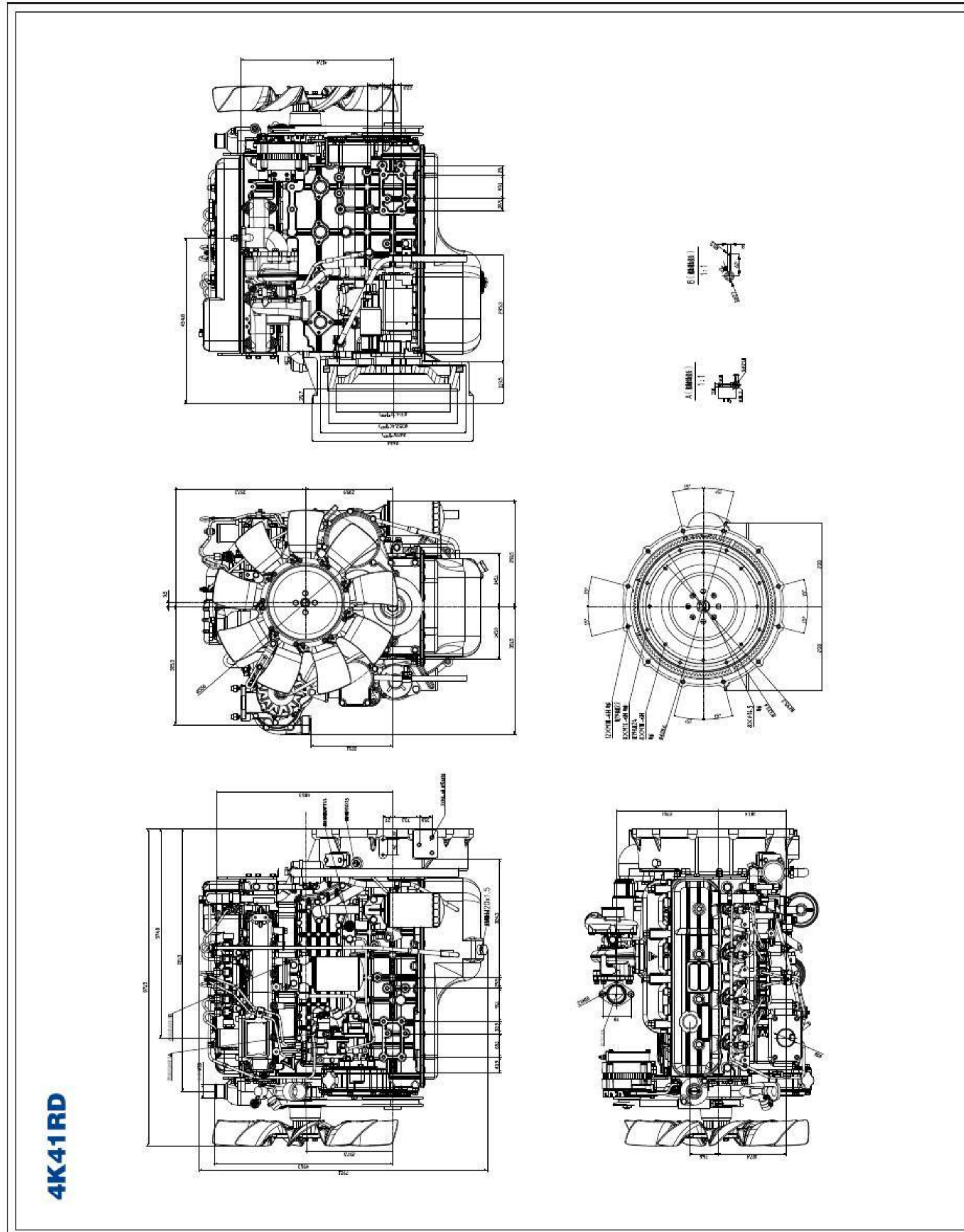
S/N	Model	4K41LD		Remark		
1	Type	Turbocharged intercooled 4-stroke inline water-cooled diesel engine				
2	Number of cylinders -Bore× Stroke	mm	4-105×118			
3	Injection method	Direct injection				
4	Compression ratio	18:1				
5	Displacement	liter	4.1			
6	Standby power	kW@rpm	81/1500, 88/1800			
7	Rated power	kW@rpm	74/1500, 80/1800			
8	Fuel consumption	g/kW-h	≤235	Rated output conditions		
9	Rated output conditions	25°C, 750mmHg, 30%				
10	Idle speed	Maximum	rpm	1530/1840	±25	
		Minimum	rpm	/	/	
11	Speed regulation	Governor type		Electrical governor		
		Speed regulation (transient)	%	≤8		
		Speed regulation (steady)	%	≤4		
		Recovery time	sec	≤6	Load 100% →0%	
		Stability	rpm	≤30		
12	Allowable tilt angle	Longitudinal	deg	30(25)	Short time (Long time)	
		Lateral	deg	30(25)		
13	Firing order	1-3-4-2		Start from flywheel end		
14	Rotation direction			Counterclockwise(Viewed from the flywheel end)		
15	Engine weight	kg	380			
16	Fuel injection timing	deg	12	FITb.T.D.C		
17	Fuel system	Fuel type		Diesel		
		Fuel injection pump		Mechanical inline pump		
		Fuel injector		Hole-type		
		Fuel filter		Paper filter cartridge		
18	Lubrication system	Type		Forced lubrication		
		Oil grade		APICF-4, SAE 15W40	Recommended	
		Oil pump		Rotary oil pump		
		Oil filter		Paper filter cartridge		
		Oil capacity	liter	8	Maximum	
			liter	6.5	Effective	
19	Cooling system	Oil pressure		kgf/cm <sup>2</sup>	2.4	Rated speed
				kgf/cm <sup>2</sup>	0	Low idle speed
		Radiator		Standard		
		Pressure cap	kgf/cm <sup>2</sup>	0.7-0.9		
20	Air filter	Heat dissipation		Kw	51 (Recommended area: 28m <sup>2</sup> )	
		Coolant capacity		liter	6.7	Engine only
						Optional
21	Breather system			Open type		
22	Starting system	Starter		12V-3.8 kW		
		Battery		100Ah	Recommended	
		Cold start device		Optional		
23	Alternator			12V 40A		
24	Engine color			Original color		
25	Emission			China stage II		

In view of the continuous upgrading of product performance, the specific technical parameters please in kind prevail. Xinchai reserves the right of final interpretation.



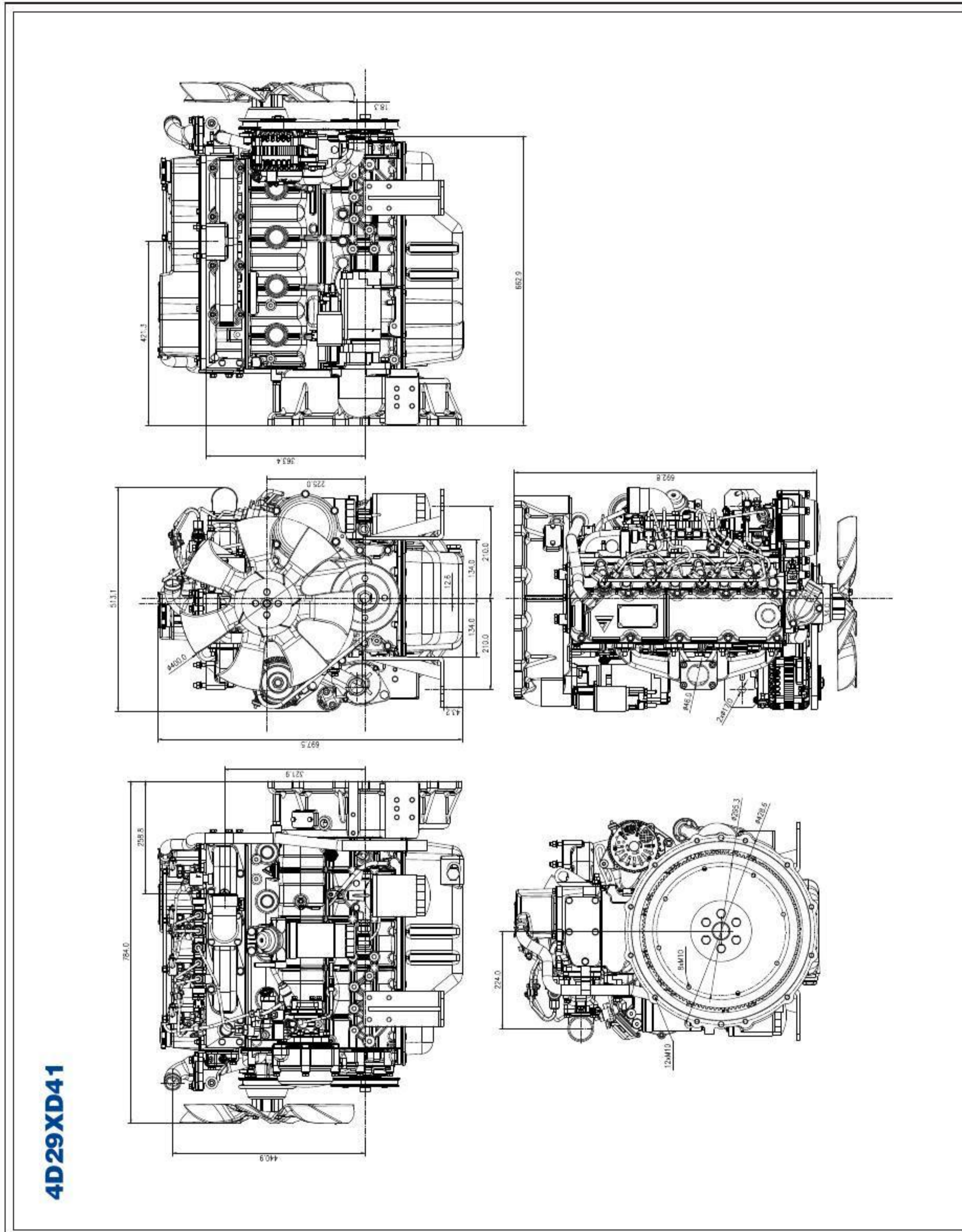
S/N	Model	4K41RD		Remark	
1	Type	Turbocharged intercooled 4-stroke inline water-cooled diesel engine			
2	Number of cylinders -Bore× Stroke	mm	4-105×118		
3	Injection method	Direct injection			
4	Compression ratio	17.5:1			
5	Displacement	liter	4.1		
6	Standby power	kW@rpm	105/1500, 116/1800		
7	Rated power	kW@rpm	95/1500, 105/1800		
8	Fuel consumption	g/kW-h	≤235	Rated output conditions	
9	Rated output conditions	25°C,750mmHg,30%			
10	Idle speed	Maximum	rpm	1500/1800	/
		Minimum	rpm	/	/
11	Speed regulation	Governor type		Common rail	
		Speed regulation (transient)	%	≤10	
		Speed regulation (steady)	%	≤2	
		Recovery time	sec	≤4	Load 100% →0%
		Stability	rpm	≤15	
12	Allowable tilt angle	Longitudinal	deg	25(35)	Short time (Long time)
		Lateral	deg	35(35)	
13	Firing order	1-3-4-2	Start from flywheel end		
14	Rotation direction	Counterclockwise(Viewed from the flywheel end)			
15	Engine weight	kg	380		
16	Fuel injection timing	deg	3-5	FITb.T.D.C	
17	Fuel system	Fuel type	Diesel		
		Fuel injection pump	Bosch common rail		
		Fuel injector	Electrical injector		
18	Lubrication system	Fuel filter	Paper filter cartridge		
		Type	Forced lubrication		
		Oil grade	APICF-4 , SAE 15W40		Recommended
		Oil pump	Secondary cycloid (gear) pump		
		Oil filter	Paper filter cartridge		
		Oil capacity	liter	8	Maximum
19	Cooling system		liter	6.5	Effective
		Oil pressure	kgf/cm <sup>2</sup>	2.4	Rated speed
			kgf/cm <sup>2</sup>	0	Low idle speed
		Radiator	Optional		
20	Air filter	Pressure cap	kgf/cm <sup>2</sup>	0.9	
		Heat dissipation	Kw	66.15 (Recommended area: 37m <sup>2</sup> )	
		Coolant capacity	liter	8.5	Engine only
21	Breather system	Standard			Maximum intake resistance≤-5.5kPa
22	Starting system	Open type			
		Starter	12V-3.8 kW		
		Battery	120Ah		Recommended
23	Alternator	Cold start device		Glow plug	
		12V 40A			
24	Engine color	Original color			
25	Emission	China stage II			

In view of the continuous upgrading of product performance,the specific technical parameters please in kind prevail. Xinchai reserves the right of final interpretation.



S/N	Model	4D29XD41		Remark	
1	Type	Naturally aspirated 4-stroke inline water-cooled diesel engine			
2	Number of cylinders -Bore× Stroke	mm	4-93×105		
3	Injection method	Direct injection			
4	Compression ratio	17:1			
5	Displacement	liter	2.9		
6	Standby power	kW@rpm	30/1500, 33/1800		
7	Rated power	kW@rpm	27/1500, 30/1800		
8	Fuel consumption	g/kW-h	≤235	Rated output conditions	
9	Rated output conditions	25°C,750mmHg,30%			
10	Idle speed	Maximum	rpm	1500/1800	/
		Minimum	rpm	850	±25
11	Speed regulation	Governor type		Common rail	
		Speed regulation (transient)	%	≤8	
		Speed regulation (steady)	%	≤4	Load 100%→0%
		Recovery time	sec	≤6	
		Stability	rpm	≤30	
12	Allowable tilt angle	Longitudinal	deg	30(25)	Short time (Long time)
		Lateral	deg	30(25)	
13	Firing order	1-3-4-2	Start from Flywheel End		
14	Rotation direction	Counterclockwise(Viewed from the flywheel end)			
15	Engine weight	kg	260		
16	Fuel injection timing	deg	3-5	FITb.T.D.C	
17	Fuel system	Fuel type		Diesel	
		Fuel injection pump		Bosch common rail	
		Fuel injector		Hole-type	
		Fuel filter		Paper filter cartridge	
18	Lubrication system	Type		Forced lubrication	
		Oil grade		API CF-4 , SAE 15W40	Recommended
		Oil pump		Rotary oil pump	
		Oil filter		Paper filter cartridge	
		Oil capacity	liter	8	Maximum
			liter	6.5	Effective
19	Cooling system	Oil pressure		Rated speed	
			kgf/cm <sup>2</sup>	2.4	
			kgf/cm <sup>2</sup>	0	Low idle speed
		Radiator	Optional		
20	Air filter	Pressure cap	kgf/cm <sup>2</sup>	0.7-0.9	
		Heat dissipation	Kw	22 (Recommended area: 12m <sup>2</sup> )	
		Coolant capacity	liter	5.2	Engine only
21	Breather system	Open type			
22	Starting system	Starter		12V-3.8 kW	
		Battery		100Ah	
		Cold start device		Optional	
23	Alternator	12V 40A			
24	Engine color	Original color			
25	Emission	China stage IV			

In view of the continuous upgrading of product performance,the specific technical parameters please in kind prevail. Xinchai reserves the right of final interpretation.



## 1、4D27LPG Technical Parameters

Item	Content	Remarks
Engine Model	4D27LPG	
Engine Type	In-line,4-cylinder,Naturally Aspirated	
Bore×Stroke (mm)	90×105	
Displacement (L)	2.7	
Cylinder Spacing (mm)	112	
Cylinder liner	Wet	
Compression ratio	10.8	
Maximum Firing Pressure Limit (bar)	70	
Fuel Supply System		
EGR	None	
Rated Power/Speed (kW/r/min)	25/1500	
Maximum No-Load Speed (r/min)	-	
Engine Oil Fuel Consumption Percentage (%)	≤0.3	
Target Market	Gen Sets	

## 2、Main Performance Component Status

Component	Manufacturer
Ignition Coil	UAES
Spark Plug	Bosch
Gas Injector Rail	Westport
Vaporizer	Tomassette
ECU	Yixiang

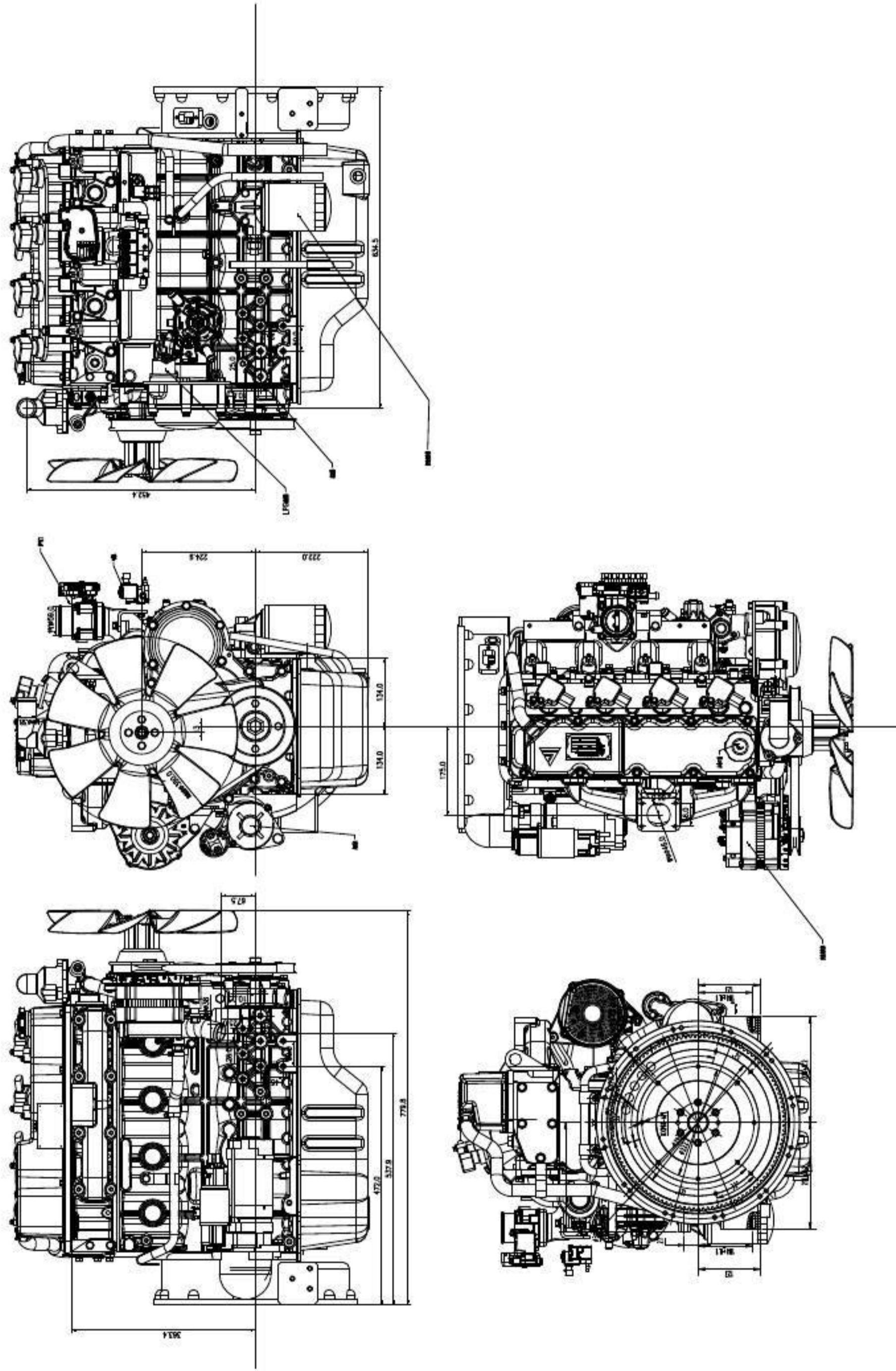
## 3、Functional Test

Overspeed Shutdown Protection	OK	High Coolant Temperature Shutdown Protection	OK	Low Oil Pressure Protection	OK
Emergency Shutdown Check	OK	Reverse Power Shutdown Protection	OK	Overload Protection	OK
ECU-J1939 Protocol	OK	Overvoltage Protection	OK	Undervoltage Protection	OK
Controller-J1939 Protocol	Not Supported				

## 4、Performance Test

Load Factor	Generated Power kW	Voltage (V)			Current (A)			Speed r/min
		Uu	Uv	Uw	Iu	Iv	Iw	
0	0	405	406	405	0	0	0	1500
25%	5	406	406	406	7.1	7	5.5	1500
50%	10	405	407	406	14.3	14.3	11.3	1500
75%	15	406	407	406	21.5	21.2	16.8	1500
100%	20	406	407	406	29.4	28.7	22.9	1500
110%	22	406	407	406	33.4	32.9	26.1	1500

In view of the continuous upgrading of product performance,the specific technical parameters please in kind prevail. Xinchai reserves the right of final interpretation.



4D27LPG